
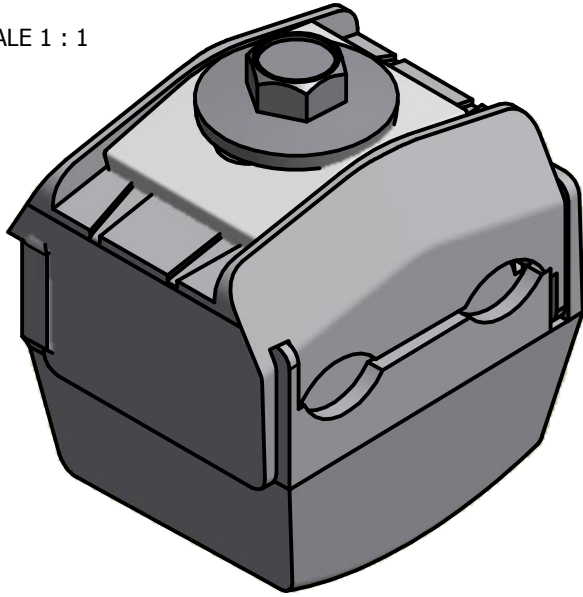


SCREW: SEE CHART	MATERIAL: NONE	REV: N	 800-776-9775 www.ilsco.com
CAT. NO.: SEE CHARTS	PLATING: NONE	DRAWN BY: CLH SCALE:1:1	
INFORMATION SHEET: FORM 68	MARKING: NONE	DATE:2/6/2008 SIZE: A	
			DWG. NO. K0431 SHEET: 1 OF 1

SCALE 1 : 1



130024 CAT: IPC-250-4/0 K0431W00A		
PART NUMBER	QTY	DESCRIPION
130228	1	MOLDED BODY - TOP AND BOTTOM
130224	4	TEETH
130110	1	TOP PLATE
130073	1	BOLT M10 X 1.5 X 2.875/2.932
130275	1	WASHER
130272	1	END CAP

136024 CAT: IPC-250-4/0-B K0431W01A		
PART NUMBER	QTY	DESCRIPTION
130228	1	MOLDED BODY - TOP AND BOTTOM
130224	4	TEETH
130110	1	TOP PLATE
130073	1	BOLT M10 X 1.5 X 2.875/2.932
130275	1	WASHER
130272	1	END CAP