
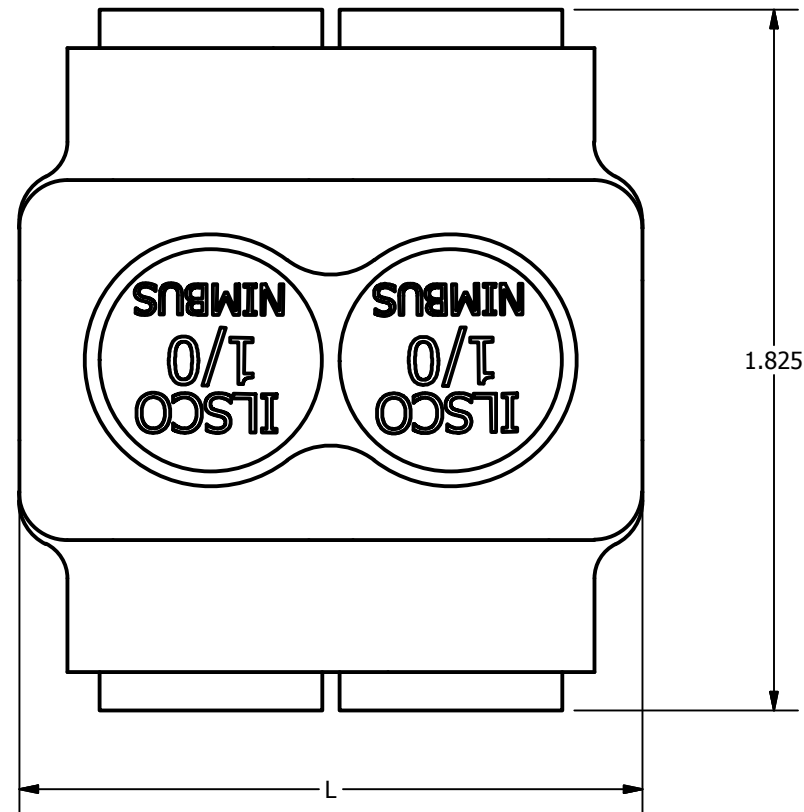


SCREW: E1376	MATERIAL: NONE	REV: M	 800-776-9775 www.ilSCO.com
CAT. NO.: SEE CHART	PLATING: NONE	DRAWN BY: CLH SCALE:	
INFORMATION SHEET: FORM 106	MARKING: NONE	DATE: 1/17/2008 SIZE: B	
			DWG NO: M1281 SHEET: 1 OF 1



CATALOG #	"L"	# OF SCREW PORTS
PBTD-2-1/0	1.623	2
PBTD-3-1/0	2.251	3
PBTD-4-1/0	2.873	4
PBTD-5-1/0	3.498	5
PBTD-6-1/0	4.123	6
PBTD-7-1/0	4.748	7
PBTD-8-1/0	5.373	8
PBTD-9-1/0	5.998	9
PBTD-10-1/0	6.623	10
PBTD-11-1/0	7.248	11
PBTD-12-1/0	7.873	12
PBTD-13-1/0	8.498	13
PBTD-14-1/0	9.123	14

