

759LF Brass Ball Valve • Spec Sheet



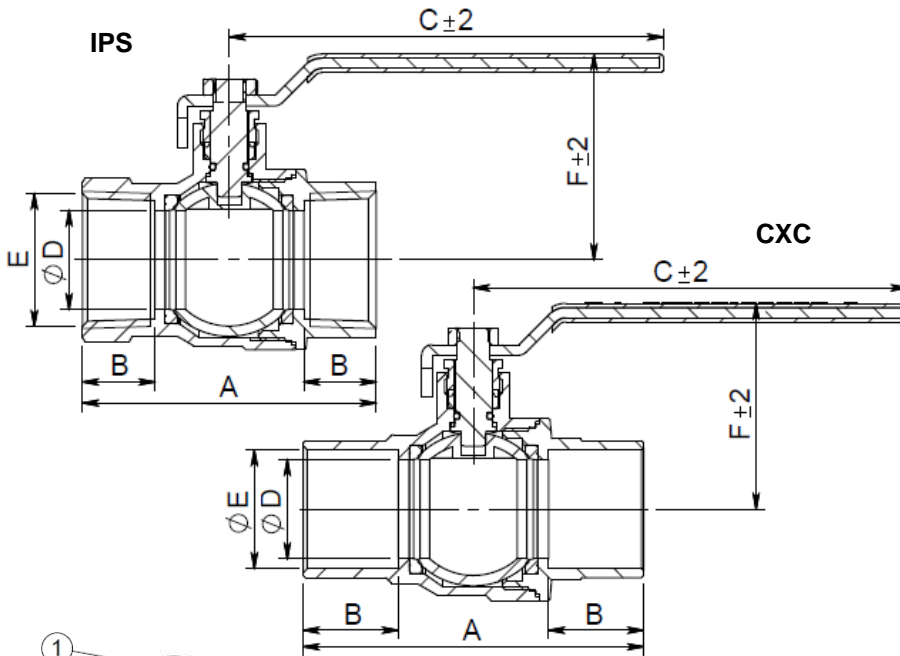
1/4" – 1-1/2"

FEATURES & BENEFITS

- Lead Free Forged Brass
- Full Port
- Two Piece Body
- Blow-Out Proof Stem
- Chrome Plated Solid Brass Ball
- Thread Ends Comply Per ANSI B1.20.1
- Conforms to MSS-SP-110
- 1/4" - 4" Rated: 600 PSI Non- Shock CWP - 150 PSI SWP
- CSA Gas Approved to 2" (IPS Only)

APPLICATIONS

- Commercial & Light Industrial/ Steam, Water, Oil, Gas, Air

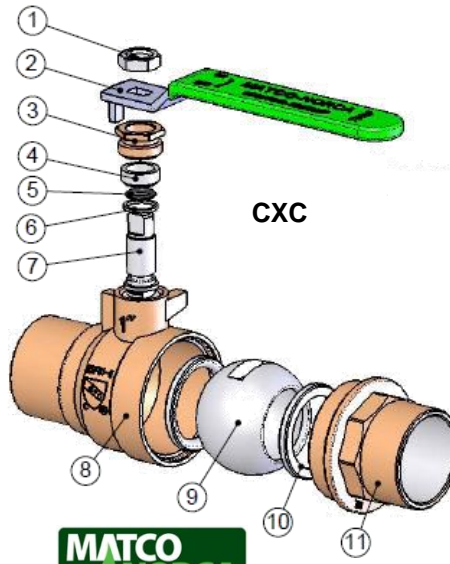
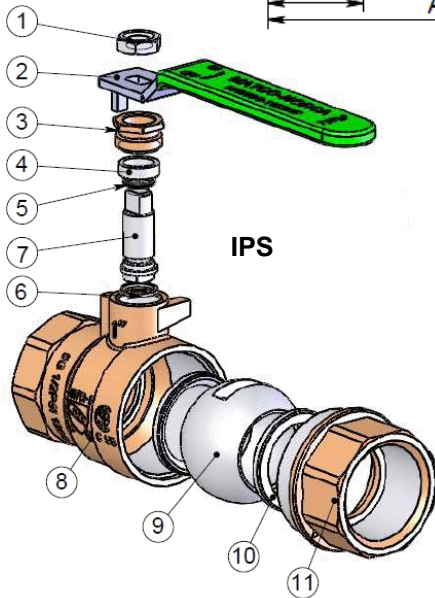


IPS DIMENSIONS

Size	A	B	C	D	E	F
1/4"	1.73	0.45	3.07	Ø0.39	18NPT	1.44
3/8"	1.73	0.45	3.07	Ø0.39	18NPT	1.44
1/2"	2.05	0.55	3.07	Ø0.51	14NPT	1.54
3/4"	2.30	0.57	4.14	Ø0.71	14NPT	1.78
1"	2.80	0.69	4.14	Ø0.95	11.5NPT	1.96
1-1/4"	3.15	0.69	4.93	Ø1.20	11.5NPT	2.49
1-1/2"	3.51	0.71	4.93	Ø1.46	11.5NPT	2.67

CXC DIMENSIONS

Size	A	B	C	D	E	F
1/2"	1.97	0.49	3.07	Ø0.51	Ø0.63	1.54
3/4"	2.71	0.75	4.14	Ø0.71	Ø0.88	1.78
1"	3.25	0.91	4.14	Ø0.95	Ø1.13	1.96
1-1/4"	3.62	0.93	4.93	Ø1.20	Ø1.38	2.49
1-1/2"	4.29	1.10	4.93	Ø1.46	Ø1.63	2.67



MATERIAL SPECIFICATION

No.	Part	Material
1	Hex Nut	Steel
2	Handle	Steel
3	Packing Nut	Brass
4	Packing Gland	PTFE
5	O-Ring	EPDM
6	Washer	PTFE
7	Stem	Brass C36000
8	Body	Brass C46500
9	Ball	1/2"-1":Brass C46500 1-1/4"&1-1/2":SS
10	Seat	PTFE
11	Body	Brass C46500

* These product complies with 0.25% weighted average lead content on wetted surfaces in accordance with Safe Water Drinking Act (SDWA) / Federal Public Law No. 111-380.

759LF Brass Ball Valve • Spec Sheet



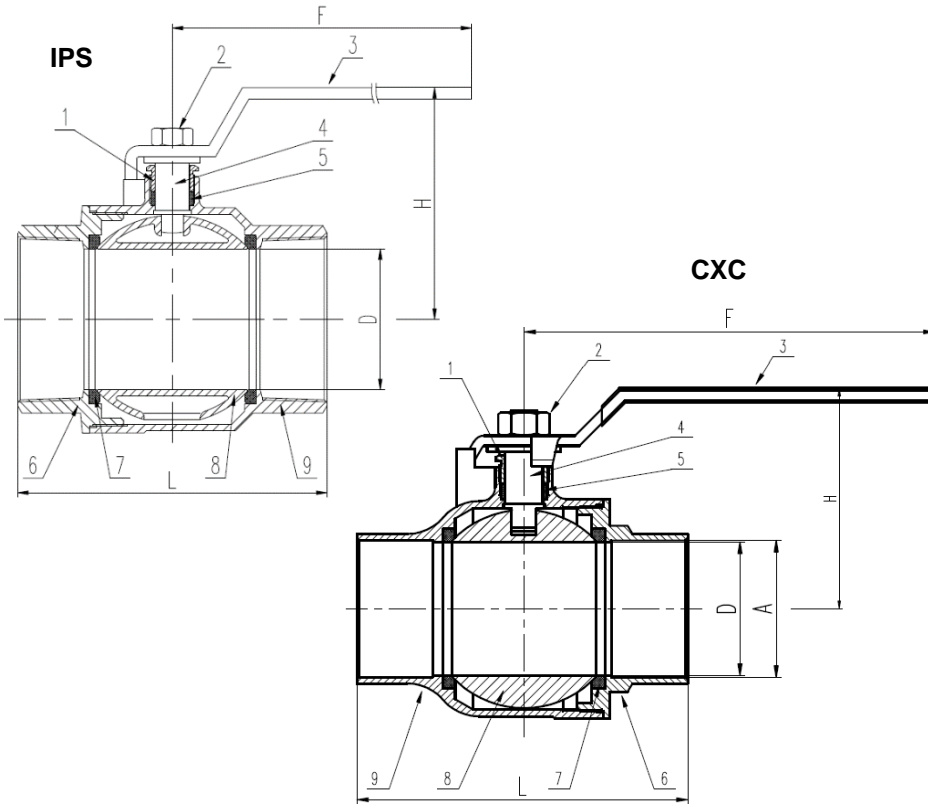
2" – 4"

FEATURES & BENEFITS

- Lead Free Forged Brass
- Full Port
- Two Piece Body
- Blow-Out Proof Stem
- Chrome Plated Solid Brass Ball
- Thread Ends Comply Per ANSI B1.20.1
- Conforms to MSS-SP-110
- 1/4" - 4" Rated: 600 PSI Non- Shock CWP - 150 PSI SWP
- CSA Gas Approved to 2" (IPS Only)

APPLICATIONS

- Commercial & Light Industrial/ Steam, Water, Oil, Gas, Air



IPS DIMENSIONS

Size	L	D	H	F
2"	4.41	Ø1.97	3.27	5.52
2-1/2"	5.99	Ø2.56	4.59	9.06
3"	6.50	Ø2.96	4.87	9.06
4"	7.76	Ø3.90	5.67	10.1

CXC DIMENSIONS

Size	L	D	A	H	F
2"	5.34	Ø1.97	Ø2.13	3.27	5.52
2-1/2"	6.38	Ø2.56	Ø2.63	4.24	7.92
3"	7.17	Ø2.96	Ø3.13	5.04	9.89
4"	9.22	Ø3.90	Ø4.13	5.71	9.89

MATERIAL SPECIFICATION

No.	Part	Material
1	Gland Nut	Brass
2	Hex Nut	Steel
3	Handle	Steel
4	Stem	Brass
5	Stem Packing	PTFE
6	End Cap	Brass
7	Seat	PTFE
8	Ball	C.P. Brass
9	Body	Brass

* These product complies with 0.25% weighted average lead content on wetted surfaces in accordance with Safe Water Drinking Act (SDWA) / Federal Public Law No. 111-380.



Global sourcing. National compliance. Local service.

CALIFORNIA 5593 Fresca Dr., La Palma CA 90623 • Toll Free: 866-532-8306 • Fax: 866-532-8307
TEXAS 1150 Silber Rd., Houston TX 77055 • Toll Free: 800-935-5456 • Fax: 713-680-2999
NEW YORK PO Box 27, Rt. 22, Brewster NY 10509 • Toll Free: 800-431-2082 • Fax: 845-278-9056
 WEB: www.matco-norca.com EMAIL: mail@matco-norca.com

759LF Brass Ball Valve With Tee Handle • Spec Sheet



FEATURES & BENEFITS

- Lead Free Forged Brass
- Full Port
- Two Piece Body
- PTFE Seats
- Blow-Out Proof Stem
- Chrome Plated Solid Brass Ball
- Thread Ends Comply Per ANSI B1.20.1
- Conforms to MSS-SP-110
- 1/2" - 1" Rated: 600 PSI Non- Shock CWP - 150 PSI SWP
- CSA Gas Approved to 2" (IPS Only)

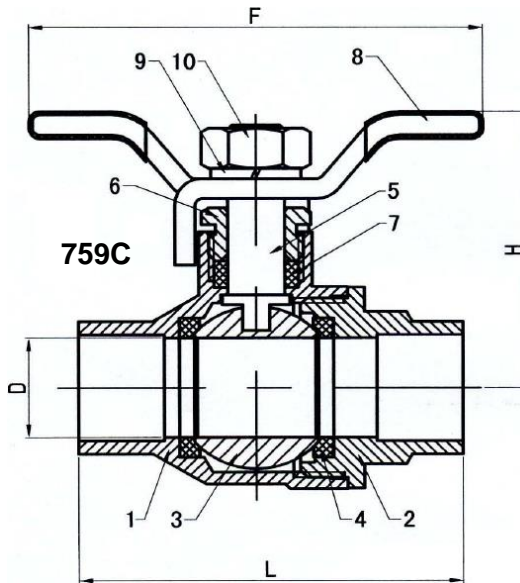
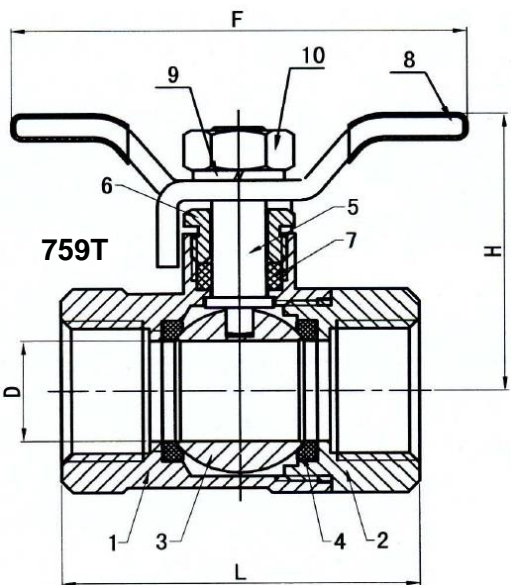
APPLICATIONS

- Commercial & Light Industrial/ Steam, Water, Oil, Gas, Air

DIMENSIONS

Part #	IPS	Size	L	H	D	F
759T01TLF	1/4"		1.69	1.48	.39	2.92
759T03TLF	1/2"		2.07	1.62	0.59	2.92
759T04TLF	3/4"		2.38	1.97	0.75	3.43
759T05TLF	1"		2.90	2.13	0.99	3.43

Part #	CxC	Size	L	H	D	F
759C03TLF	1/2"		2.25	1.62	0.59	2.92
759C04TLF	3/4"		2.82	1.97	0.75	3.43
759C05TLF	1"		3.31	2.13	0.99	3.43



MATERIAL SPECIFICATION

No.	Part	Material
1	Body	Brass
2	End Cap	Brass
3	Ball	Brass
4	Seat	PTFE
5	Stem	Brass
6	Gland Nut	Brass
7	Stem Packing	PTFE
8	Handle	Steel
9	Lock Washer	Brass
10	Hex Nut	Brass



* These product complies with 0.25% weighted average lead content on wetted surfaces in accordance with Safe Water Drinking Act (SDWA) / Federal Public Law No. 111-380.

Global sourcing. National compliance. Local service.

CALIFORNIA 5593 Fresca Dr., La Palma CA 90623 • Toll Free: 866-532-8306 • Fax: 866-532-8307
TEXAS 1150 Silber Rd., Houston TX 77055 • Toll Free: 800-935-5456 • Fax: 713-680-2999
NEW YORK PO Box 27, Rt. 22, Brewster NY 10509 • Toll Free: 800-431-2082 • Fax: 845-278-9056
 WEB: www.matco-norca.com EMAIL: mail@matco-norca.com

759TSLF Ball Valve With Thumb Grip Handle • Spec Sheet



FEATURES & BENEFITS

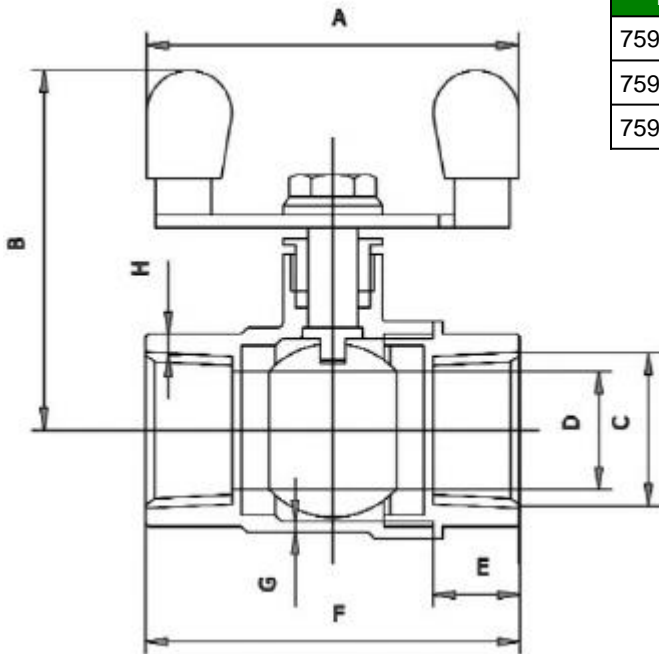
- Full Port
- Forged Brass
- Two Piece Body
- PTFE Seats
- Blow-Out Proof Stem
- Thread Ends Comply Per ANSI B1.20.1
- Conforms to MSS-SP-110
- 1/2" – 1" Rated: 600 PSI Non- Shock CWP – 150 PSI SWP
- CSA Gas Approved (IPS Only)

APPLICATIONS

- Commercial & Light Industrial/ Steam, Water, Oil, Gas, Air
- Stainless Steel T Handle Is Excellent For Underground & Close Quarter Applications

DIMENSIONS

Part #	Size	A	B	C	D	E	F	G	H
759T03TSLF	1/2"	2.05	1.46	0.83	0.59	0.51	2.07	0.07	0.17
759T04TSLF	3/4"	2.36	2.27	1.04	0.75	0.55	2.38	0.07	0.14
759T05TSLF	1"	2.20	2.43	1.30	0.98	0.68	2.89	0.08	0.16



MATERIAL SPECIFICATION

Part	Material
Nut	Stainless Steel GR316
Lock Washer	Stainless Steel GR316
Handle	Stainless Steel GR316
Packing Nut	Brass
Packing	PTFE
Stem	Brass B124-C377000
Seat Ring	PTFE
Ball	C.P. Brass
End Cap	Forged Brass
Body	Forged Brass

* These product complies with 0.25% weighted average lead content on wetted surfaces in accordance with Safe Water Drinking Act (SDWA) / Federal Public Law No. 111-380.



Global sourcing. National compliance. Local service.

CALIFORNIA 5593 Fresca Dr., La Palma CA 90623 • Toll Free: 866-532-8306 • Fax: 866-532-8307
TEXAS 1150 Silber Rd., Houston TX 77055 • Toll Free: 800-935-5456 • Fax: 713-680-2999
NEW YORK PO Box 27, Rt. 22, Brewster NY 10509 • Toll Free: 800-431-2082 • Fax: 845-278-9056
 WEB: www.matco-norca.com EMAIL: mail@matco-norca.com