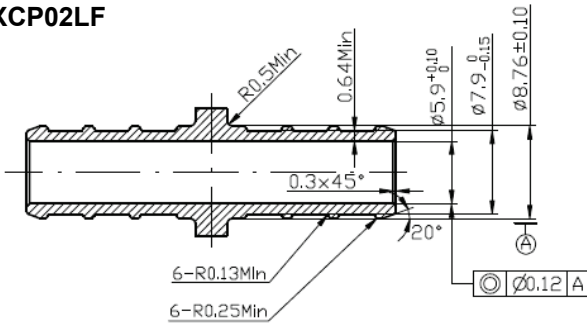


# Lead Free Brass Pex Fittings

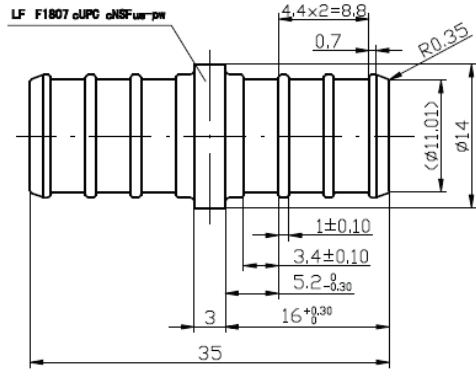
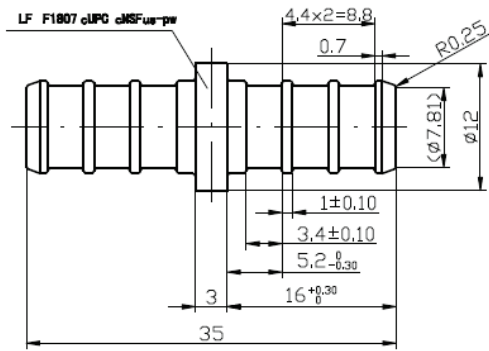
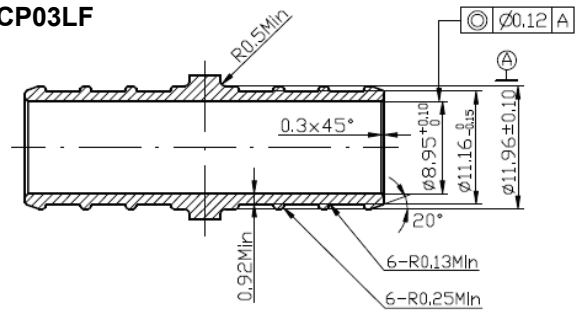
- Lead Free Brass Pex Fittings\*
- NSF and UPC Approved
- Manufactured to ASTM Standard F1807
- Can be used with PEX Tubing Manufactured to ASTM Standard F876-877

## LEAD FREE BRASS PEX COUPLINGS

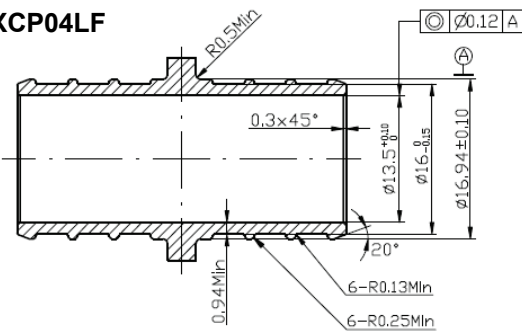
PXCP02LF



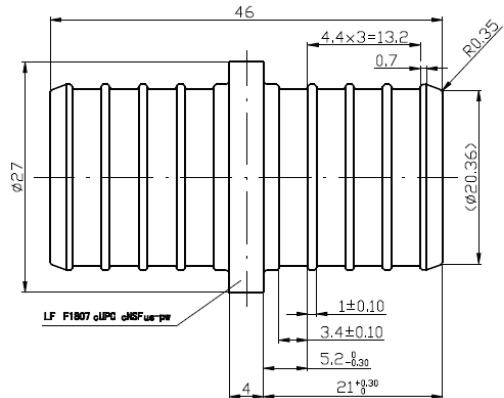
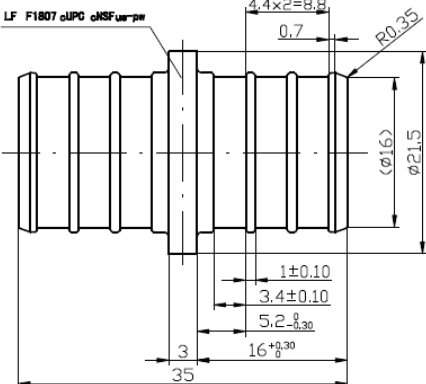
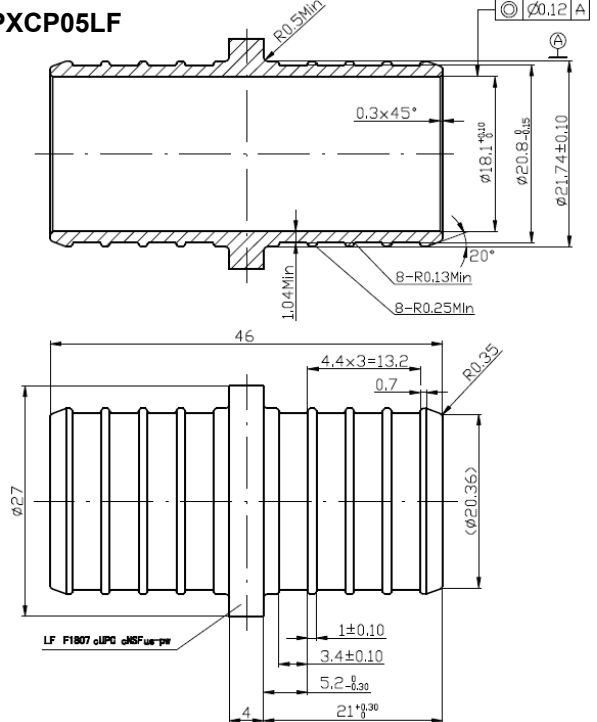
PXCP03LF



PXCP04LF



PXCP05LF



\*Measurements in Millimeters

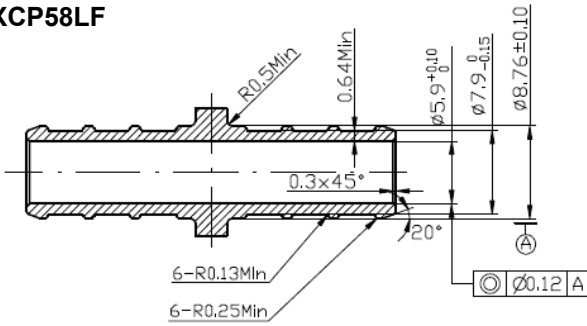
\* These product complies with 0.25% weighted average lead content on wetted surfaces in accordance with Safe Water Drinking Act (SDWA) / Federal Public Law No. 111-380.

# Lead Free Brass PEX Fittings

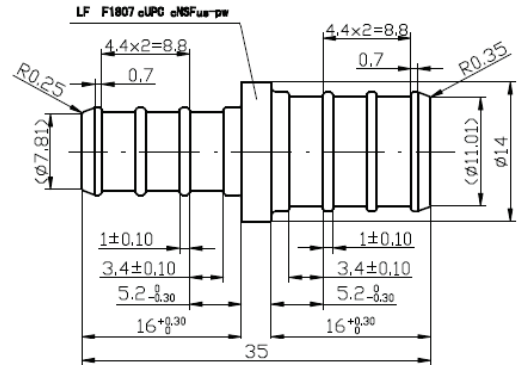
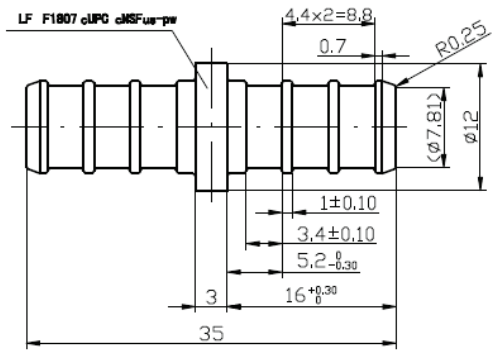
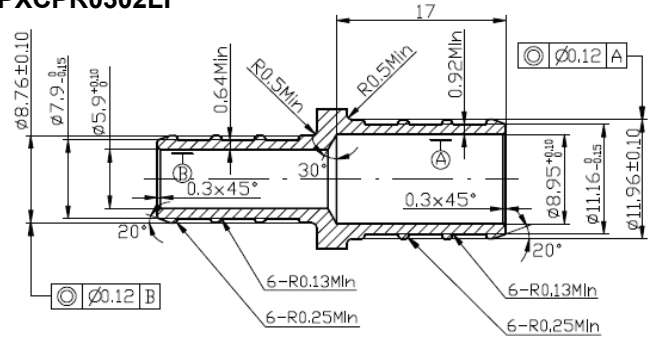
- Lead Free Brass Pex Fittings\*
- NSF and UPC Approved
- Manufactured to ASTM Standard F1807
- Can be used with PEX Tubing Manufactured to ASTM Standard F876-877

## LEAD FREE BRASS PEX COUPLINGS

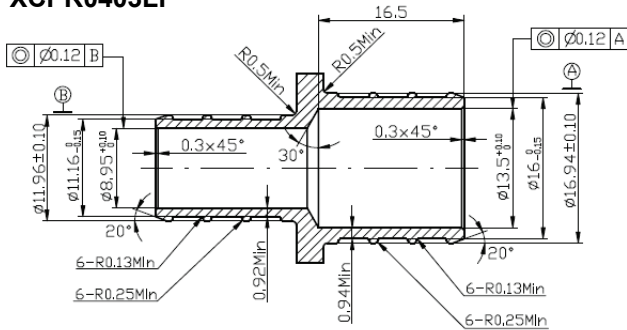
PXCP58LF



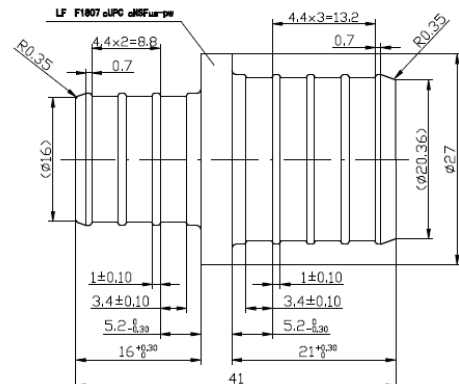
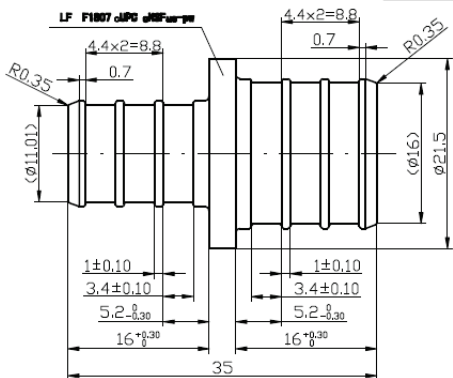
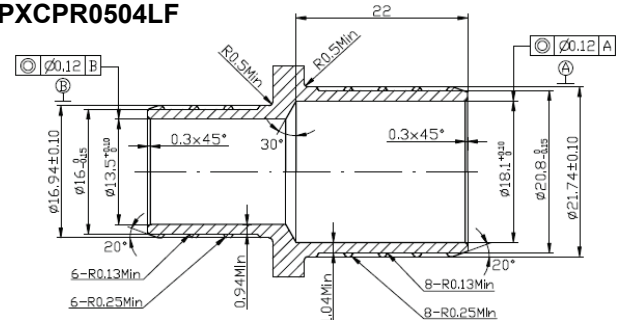
PXCPR0302LF



PXCPR0403LF



PXCPR0504LF



\*Measurements in Millimeters

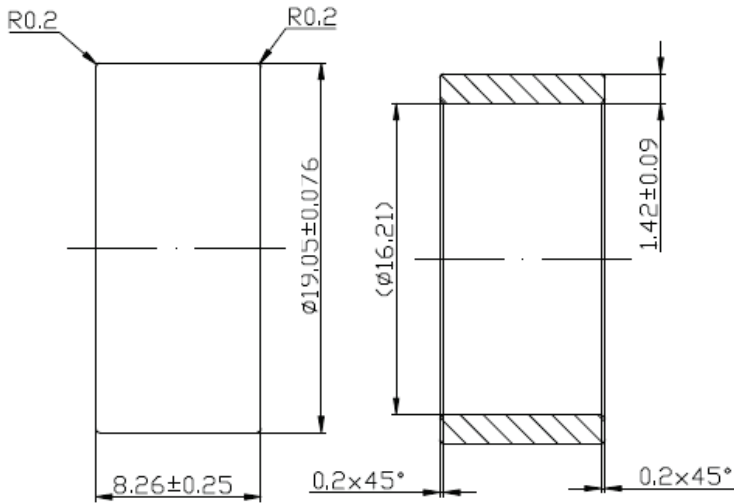
\* These product complies with 0.25% weighted average lead content on wetted surfaces in accordance with Safe Water Drinking Act (SDWA) / Federal Public Law No. 111-380.

# Lead Free Brass Pex Fittings

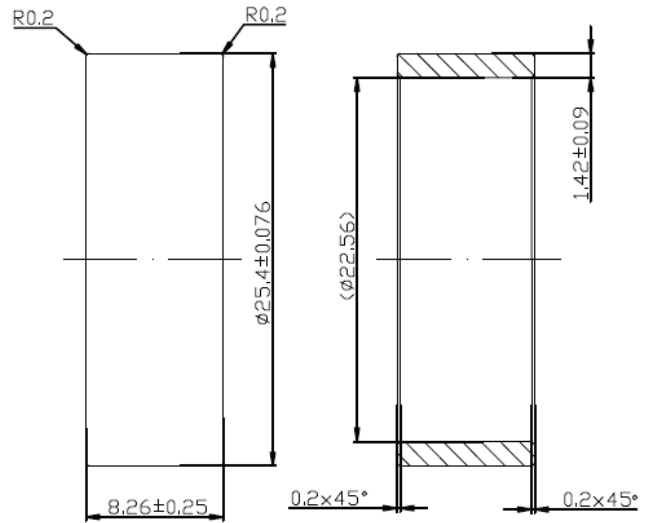
- Lead Free Brass Pex Fittings\*
- NSF and UPC Approved
- Manufactured to ASTM Standard F1807
- Can be used with PEX Tubing Manufactured to ASTM Standard F876-877

## LEAD FREE BRASS PEX CRIMP RINGS

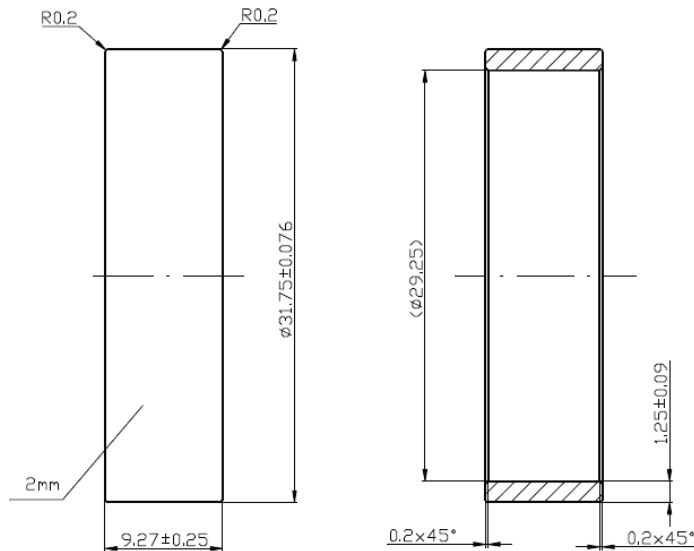
PXCR03LF



PXCR04LF



PXCR05LF



\*Measurements in Millimeters

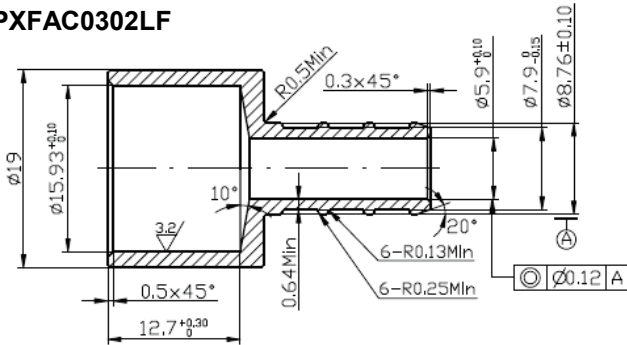
\* These product complies with 0.25% weighted average lead content on wetted surfaces in accordance with Safe Water Drinking Act (SDWA) / Federal Public Law No. 111-380.

# Lead Free Brass Pex Fittings

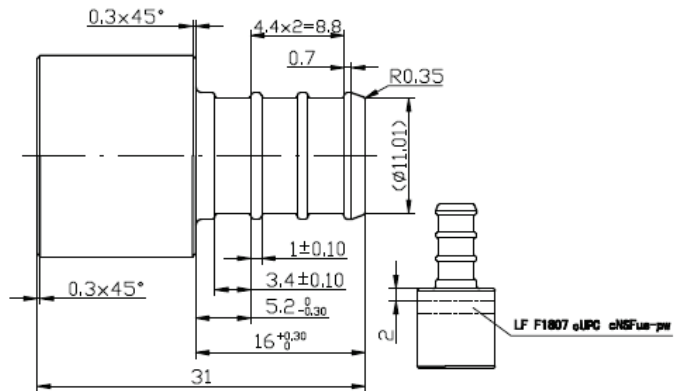
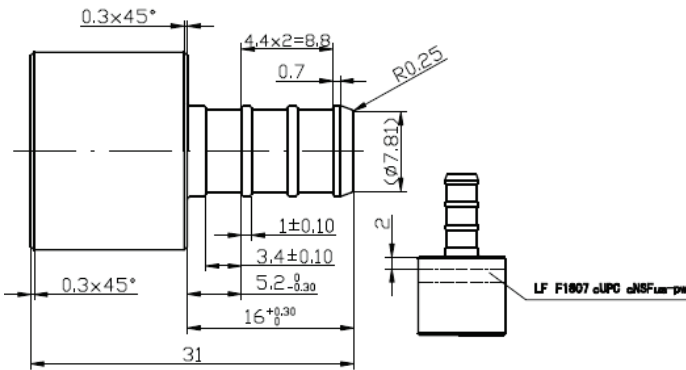
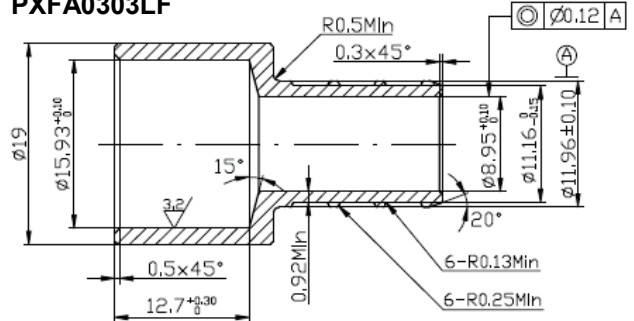
- Lead Free Brass Pex Fittings\*
- NSF and UPC Approved
- Manufactured to ASTM Standard F1807
- Can be used with PEX Tubing Manufactured to ASTM Standard F876-877

## LEAD FREE BRASS PEX ADAPTERS

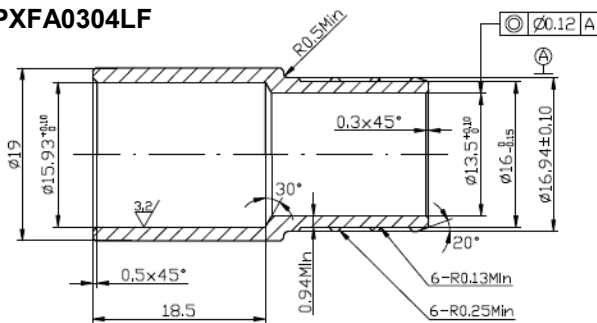
PXFAC0302LF



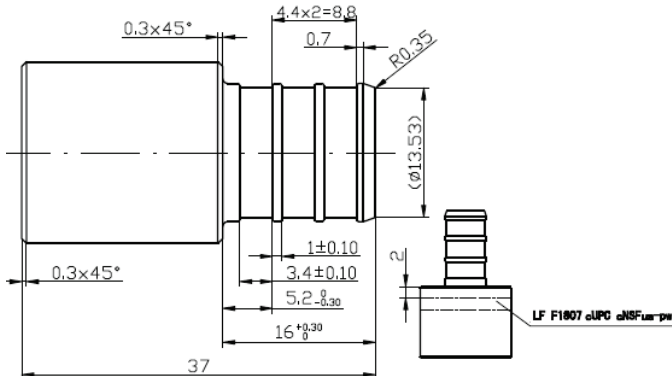
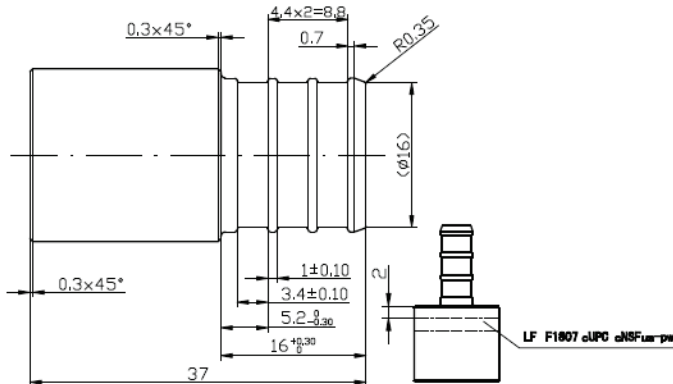
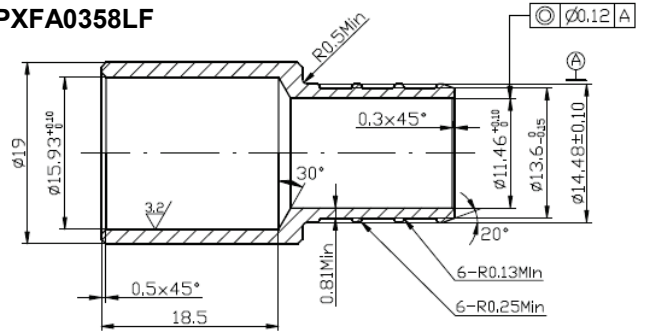
PXFA0303LF



PXFA0304LF



PXFA0358LF



\*Measurements in Millimeters

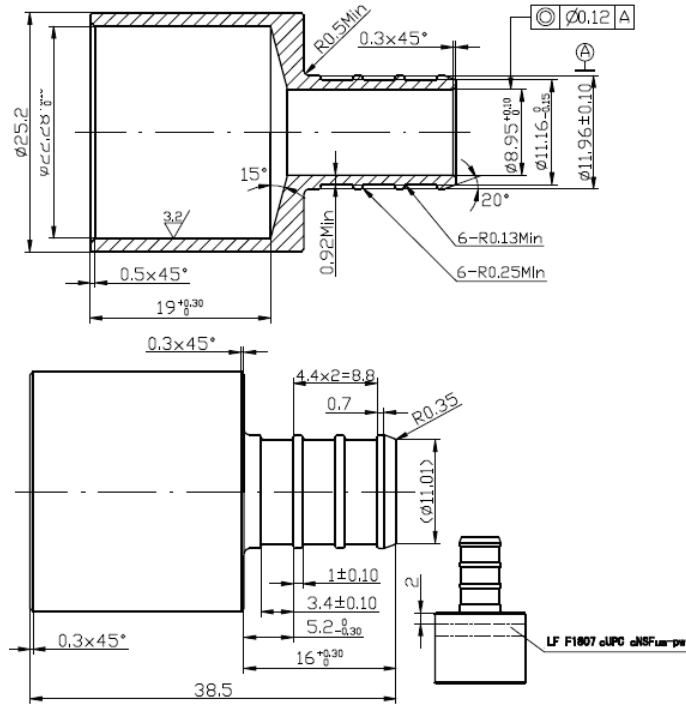
\* These product complies with 0.25% weighted average lead content on wetted surfaces in accordance with Safe Water Drinking Act (SDWA) / Federal Public Law No. 111-380.

# Lead Free Brass Pex Fittings

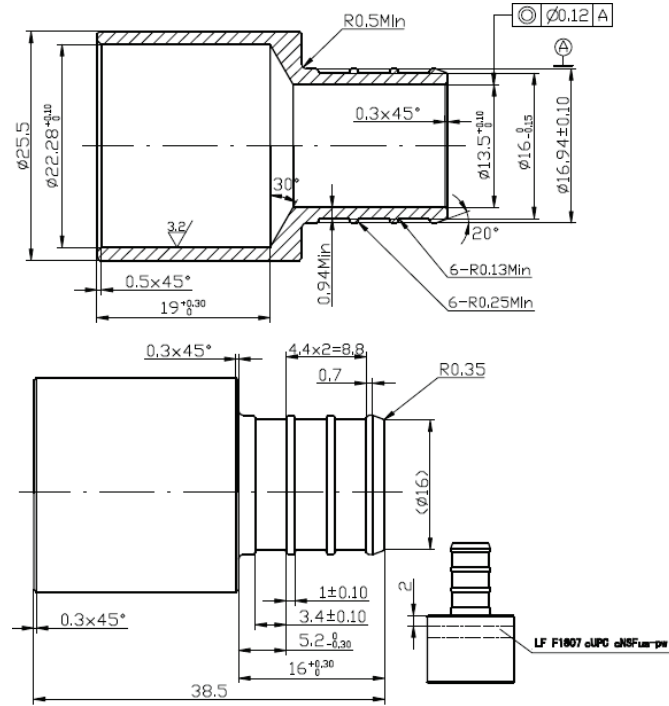
- Lead Free Brass Pex Fittings\*
- NSF and UPC Approved
- Manufactured to ASTM Standard F1807
- Can be used with PEX Tubing Manufactured to ASTM Standard F876-877

## LEAD FREE BRASS PEX ADAPTERS

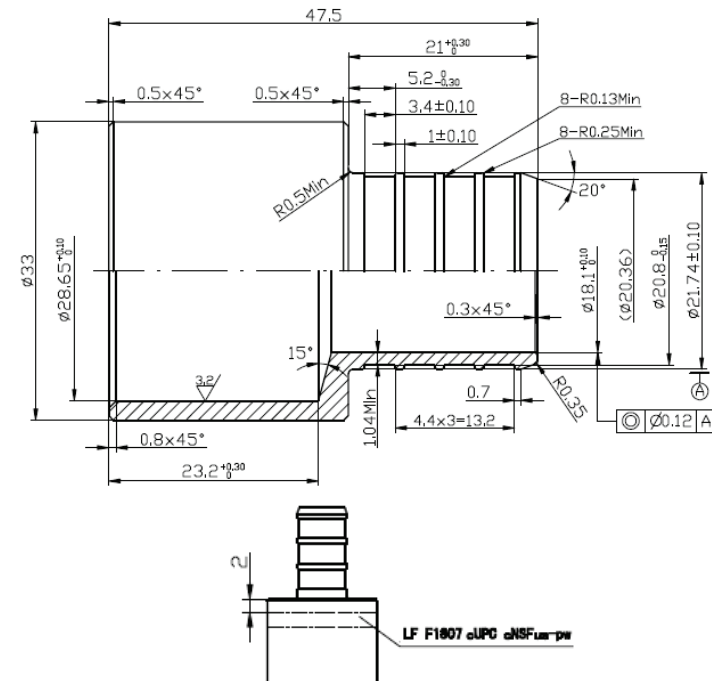
PXFAC0403LF



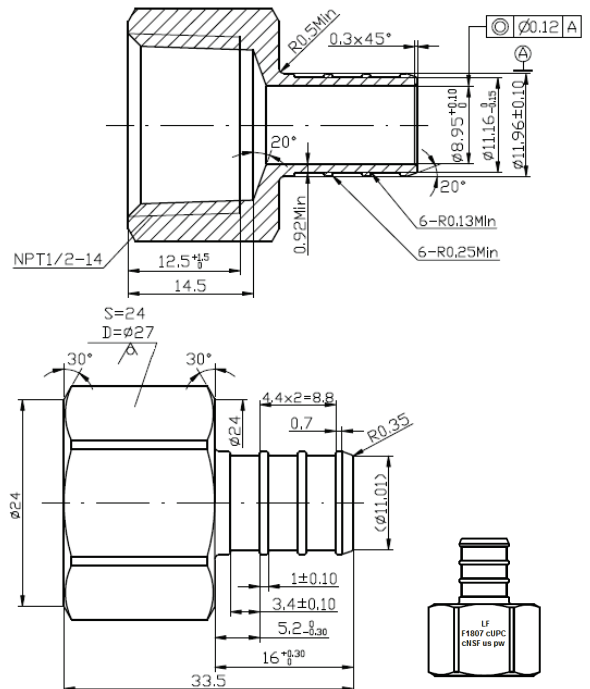
PXFAC0404LF



PXFAC0505LF



PXFA0303LF



\*Measurements in Millimeters

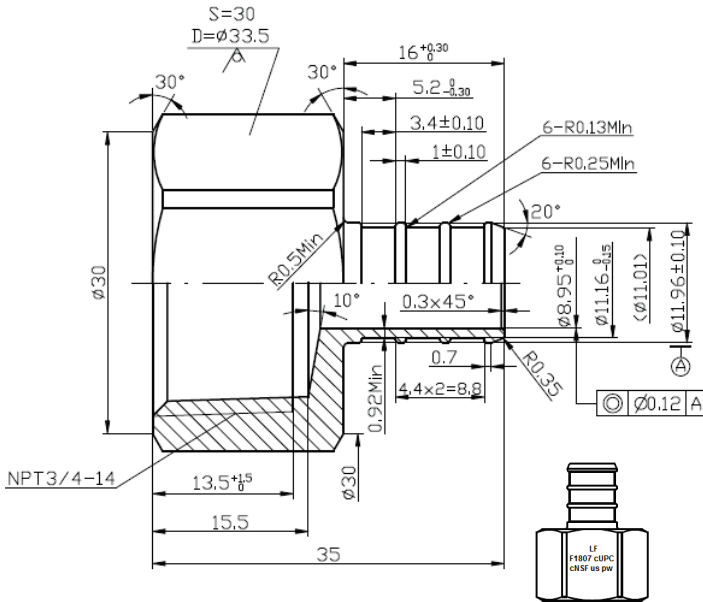
\* These product complies with 0.25% weighted average lead content on wetted surfaces in accordance with Safe Water Drinking Act (SDWA) / Federal Public Law No. 111-380.

# Lead Free Brass Pex Fittings

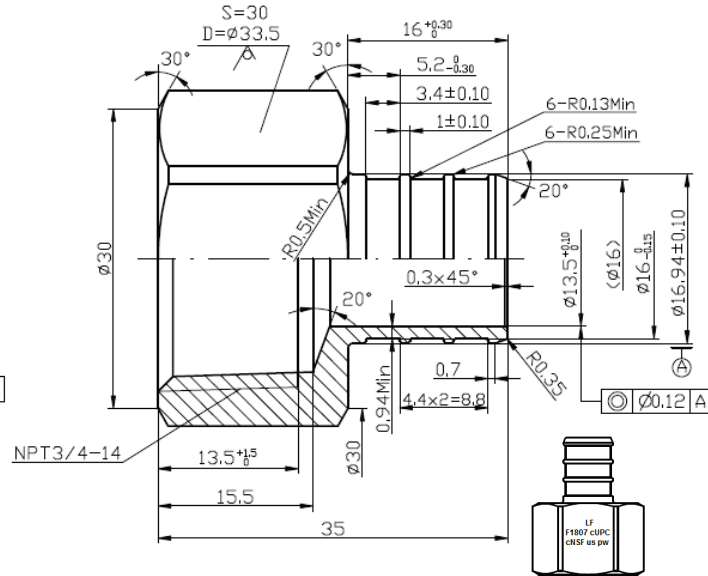
- Lead Free Brass Pex Fittings\*
- NSF and UPC Approved
- Manufactured to ASTM Standard F1807
- Can be used with PEX Tubing Manufactured to ASTM Standard F876-877

## LEAD FREE BRASS PEX ADAPTERS

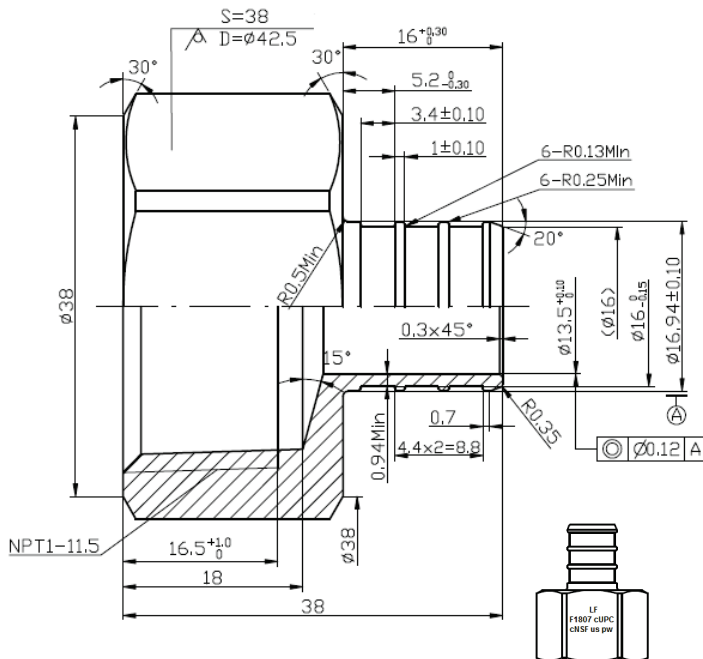
PXFA0304LF



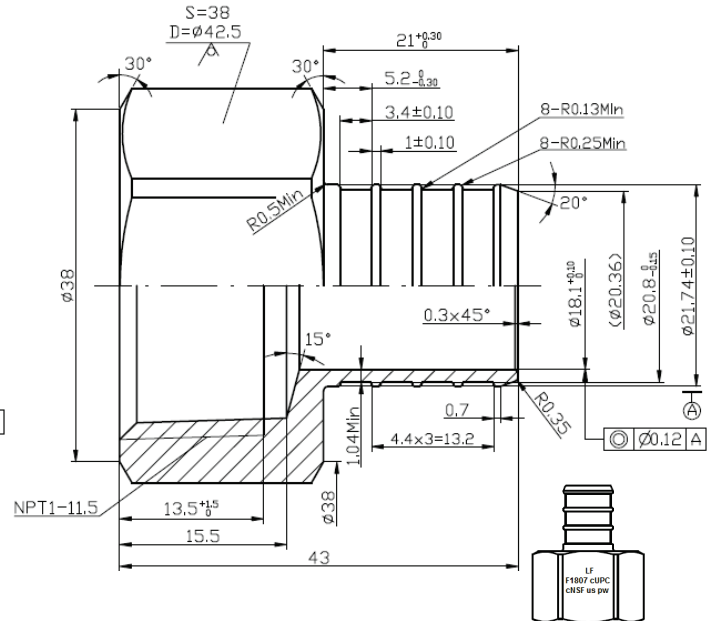
PXFA0404LF



PXFA0405LF



PXFA0505LF



\*Measurements in Millimeters

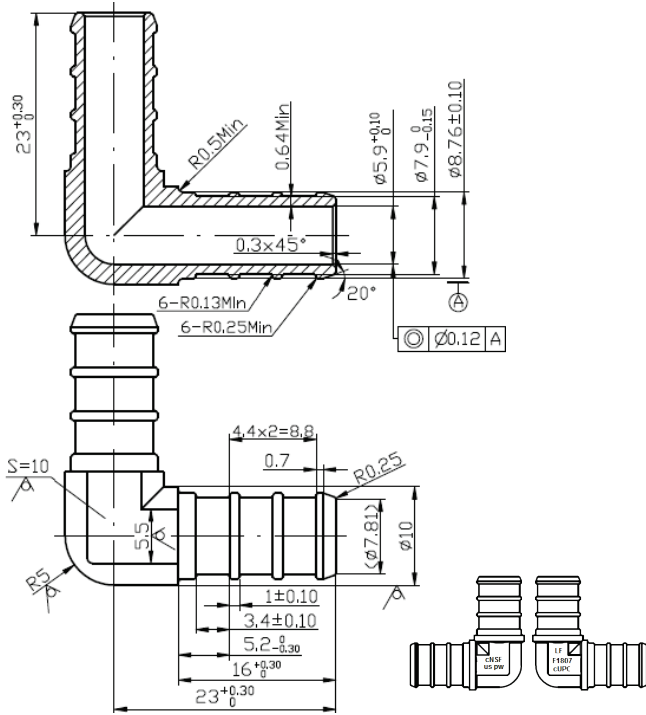
\* These product complies with 0.25% weighted average lead content on wetted surfaces in accordance with Safe Water Drinking Act (SDWA) / Federal Public Law No. 111-380.

# Lead Free Brass Pex Fittings

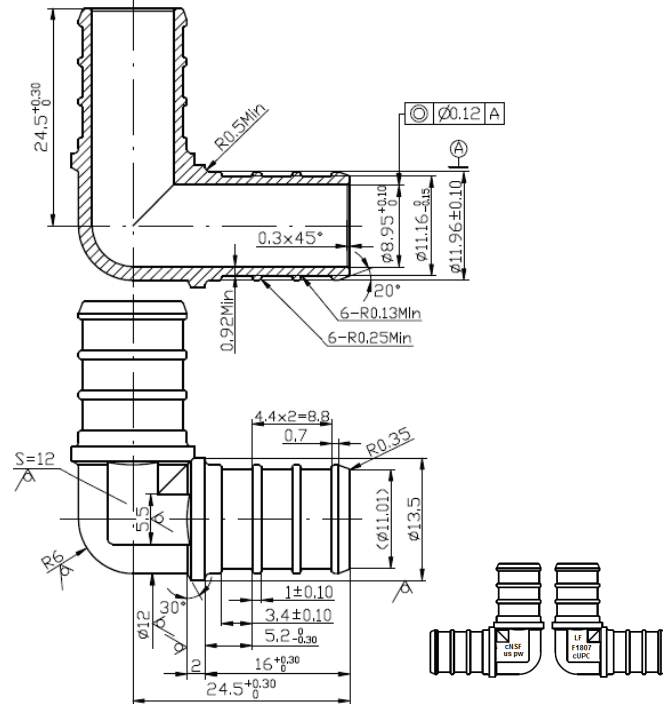
- Lead Free Brass Pex Fittings\*
- NSF and UPC Approved
- Manufactured to ASTM Standard F1807
- Can be used with PEX Tubing Manufactured to ASTM Standard F876-877

## LEAD FREE BRASS PEX ELBOWS

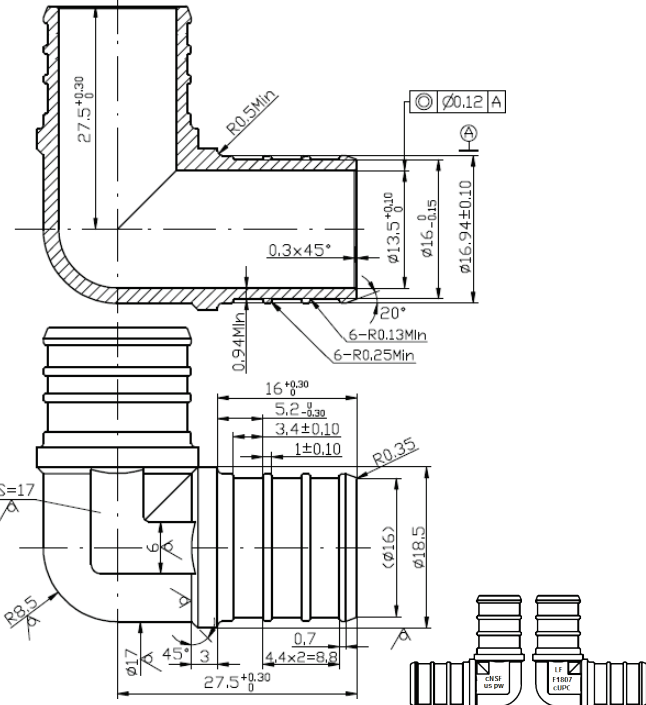
PXL02LF



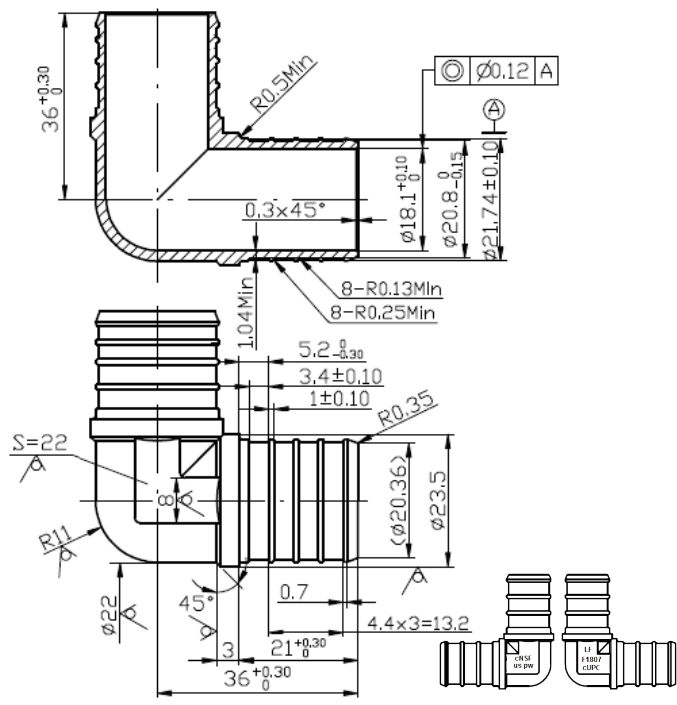
PXL03LF



PXL04LF



PXL05LF



\*Measurements in Millimeters

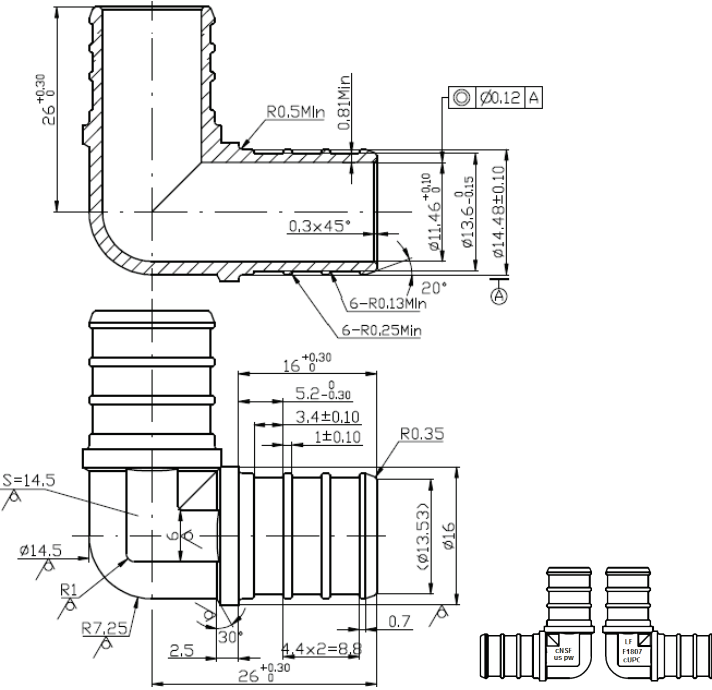
\* These product complies with 0.25% weighted average lead content on wetted surfaces in accordance with Safe Water Drinking Act (SDWA) / Federal Public Law No. 111-380.

# Lead Free Brass Pex Fittings

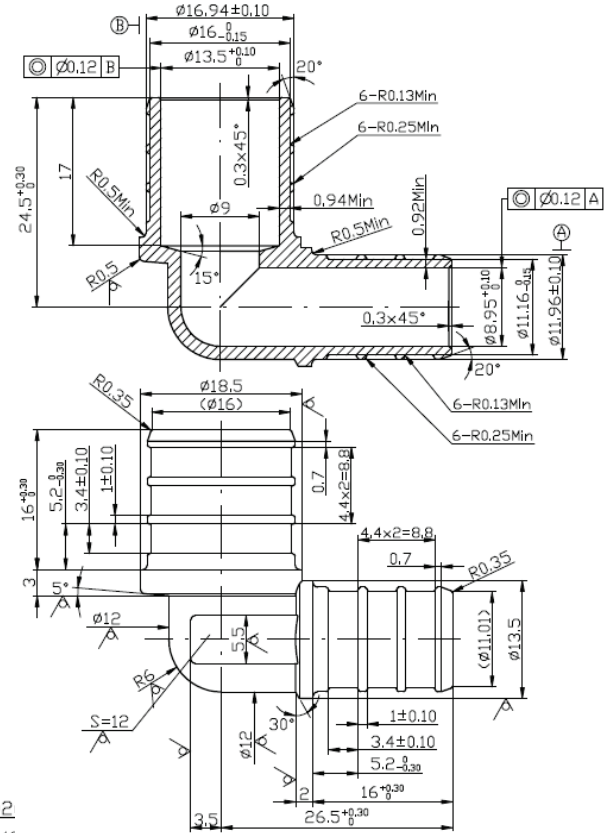
- Lead Free Brass Pex Fittings\*
- NSF and UPC Approved
- Manufactured to ASTM Standard F1807
- Can be used with PEX Tubing Manufactured to ASTM Standard F876-877

## LEAD FREE BRASS PEX ELBOWS

PXL58LF

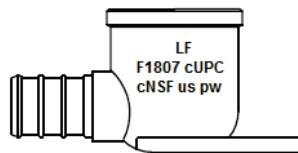
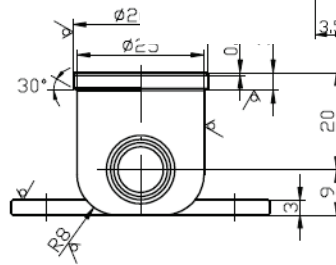
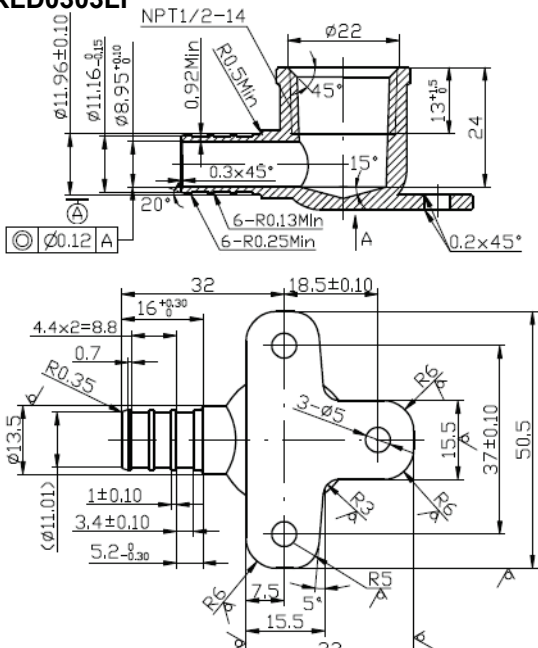


PXRL0403LF



## LEAD FREE BRASS PEX DROP EAR ELBOW

PXLD0303LF



\*Measurements in Millimeters

\* These product complies with 0.25% weighted average lead content on wetted surfaces in accordance with Safe Water Drinking Act (SDWA) / Federal Public Law No. 111-380.

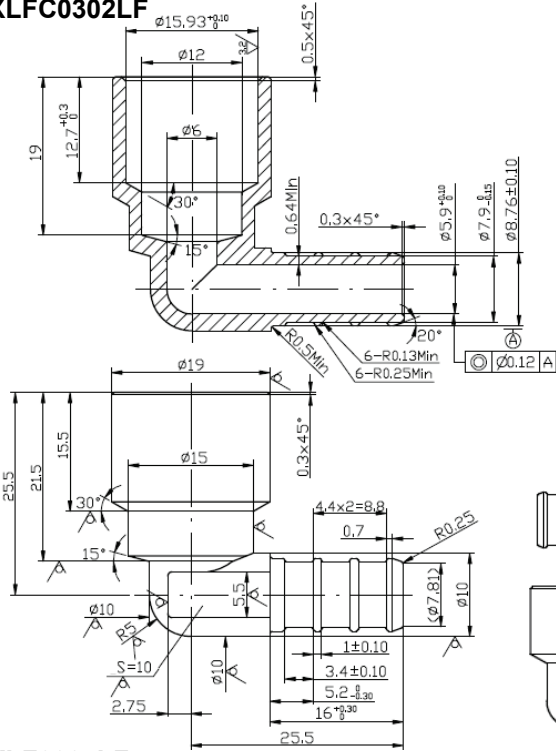


# Lead Free Brass Pex Fittings

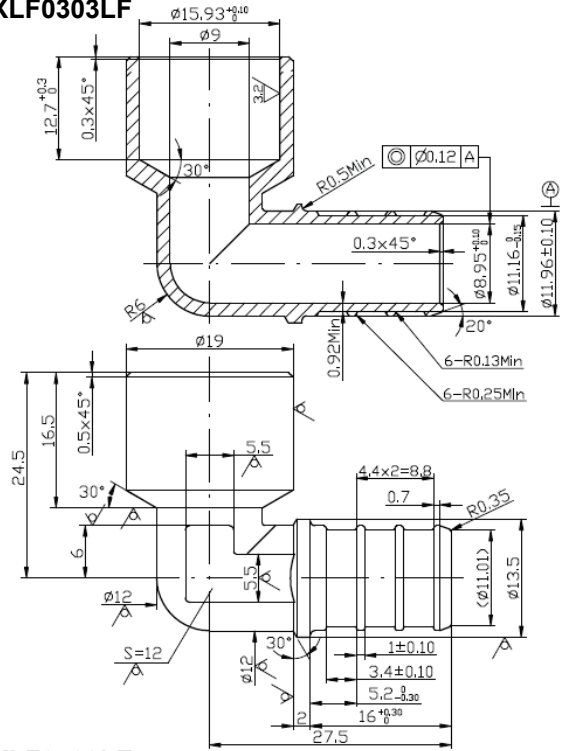
- Lead Free Brass Pex Fittings\*
- NSF and UPC Approved
- Manufactured to ASTM Standard F1807
- Can be used with PEX Tubing Manufactured to ASTM Standard F876-877

## LEAD FREE BRASS SWEAT X PEX ELBOW

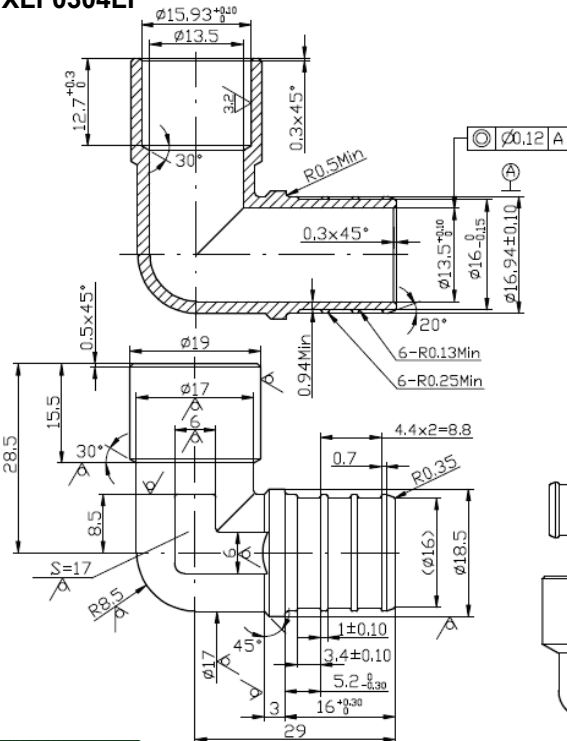
### PXLFC0302LF



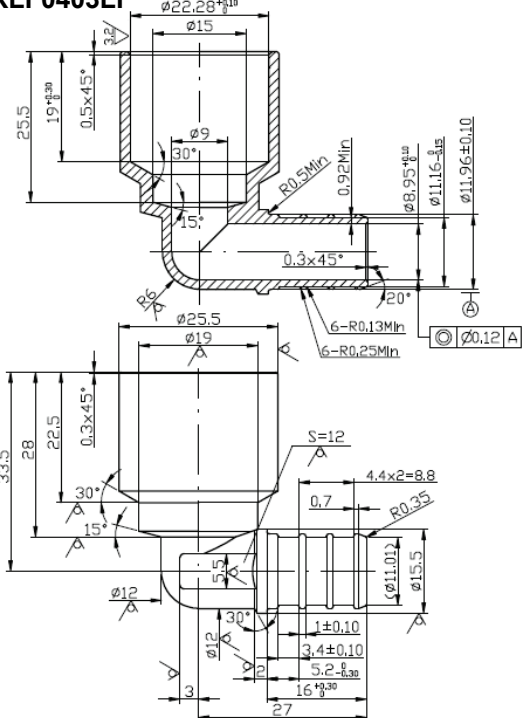
### PXLF0303LF



### PXLF0304LF



### PXLF0403LF



\*Measurements in Millimeters

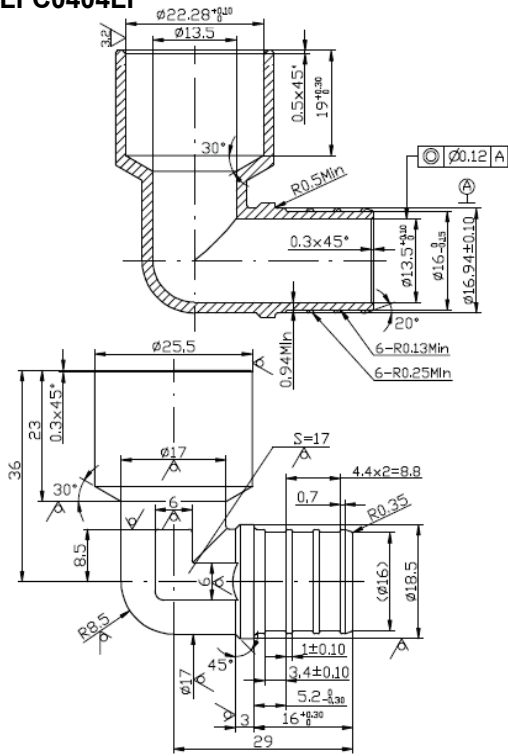
\* These product complies with 0.25% weighted average lead content on wetted surfaces in accordance with Safe Water Drinking Act (SDWA) / Federal Public Law No. 111-380.

# Lead Free Brass Pex Fittings

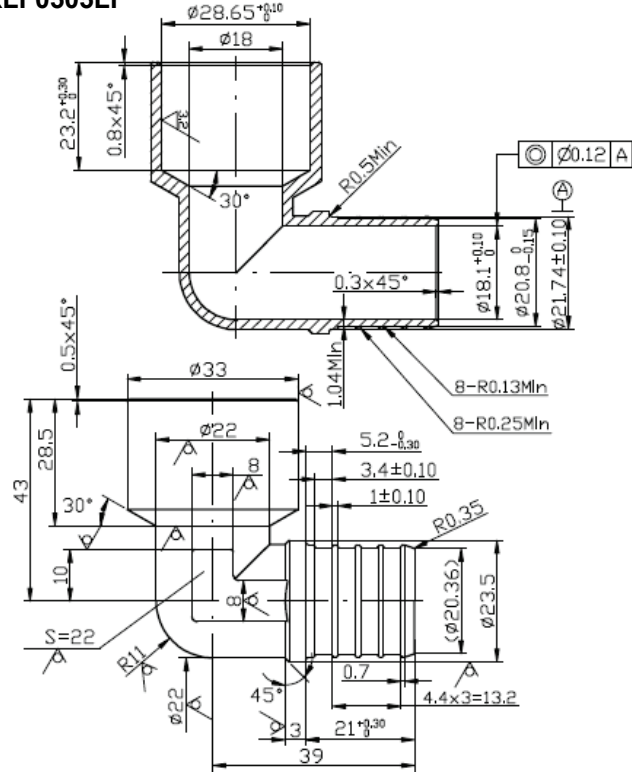
- Lead Free Brass Pex Fittings\*
- NSF and UPC Approved
- Manufactured to ASTM Standard F1807
- Can be used with PEX Tubing Manufactured to ASTM Standard F876-877

## LEAD FREE BRASS SWEAT X PEX ELBOW

PXLFC0404LF

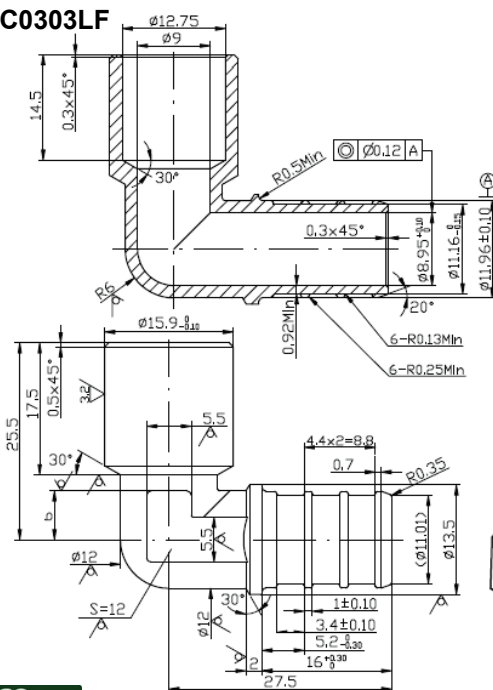


PXLFC0505LF

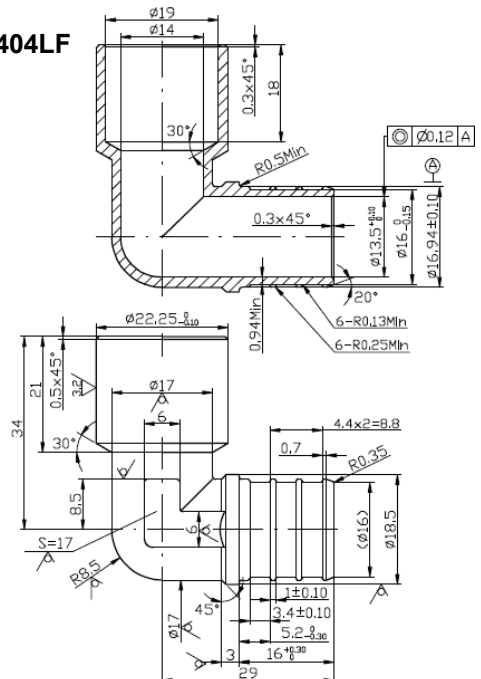


## LEAD FREE BRASS MALE SWEAT PEX ELBOW

PXLMC0303LF



PXLMC0404LF



\*Measurements in Millimeters

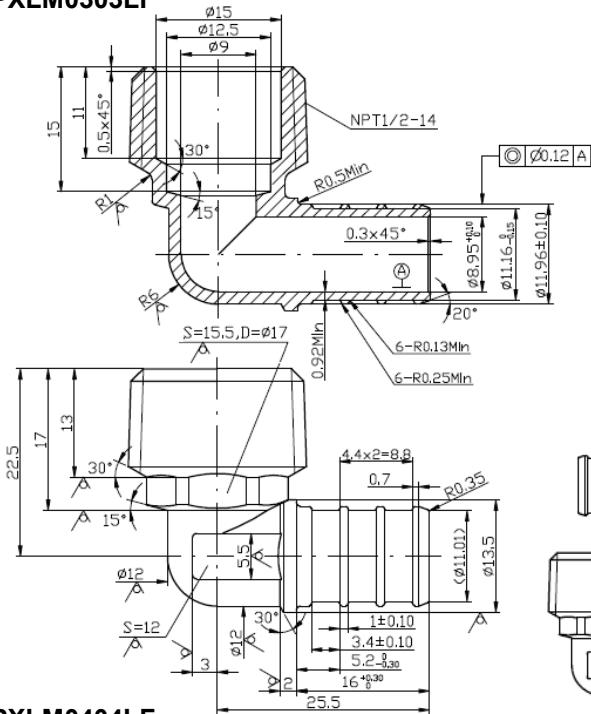
\* These product complies with 0.25% weighted average lead content on wetted surfaces in accordance with Safe Water Drinking Act (SDWA) / Federal Public Law No. 111-380.

# Lead Free Brass Pex Fittings

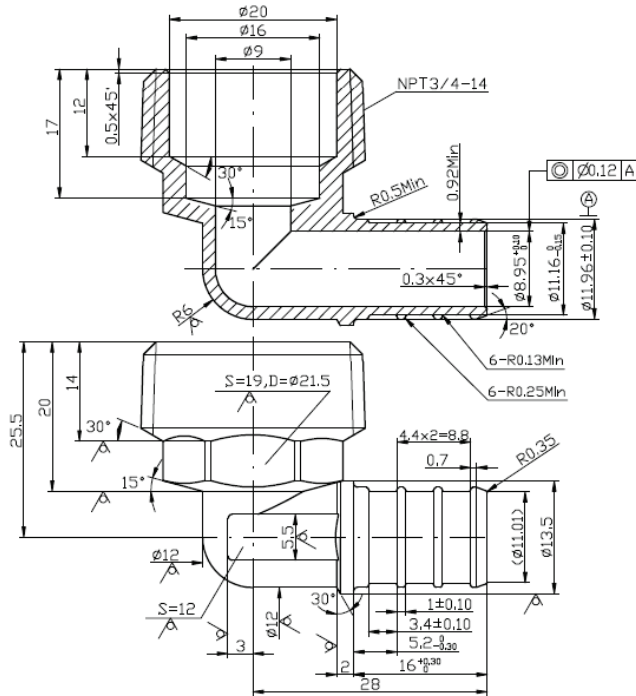
- Lead Free Brass Pex Fittings\*
- NSF and UPC Approved
- Manufactured to ASTM Standard F1807
- Can be used with PEX Tubing Manufactured to ASTM Standard F876-877

## LEAD FREE BRASS PEX BARB X IP ELBOW

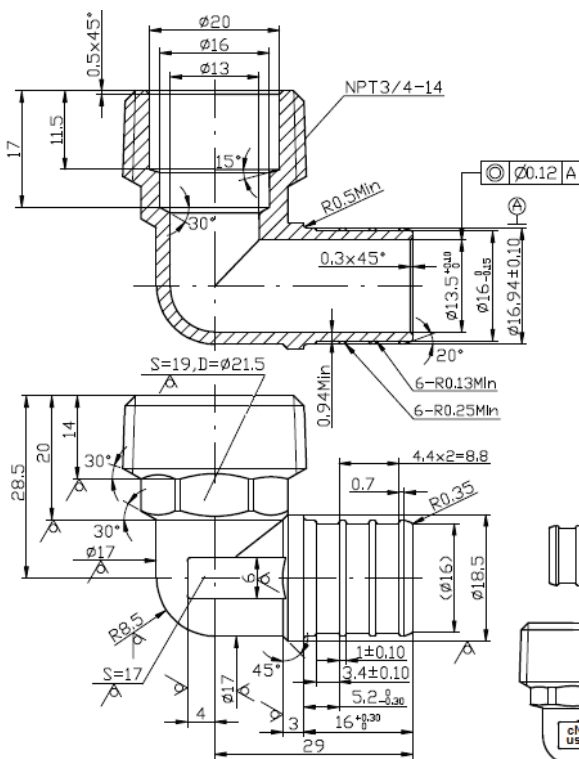
PXLM0303LF



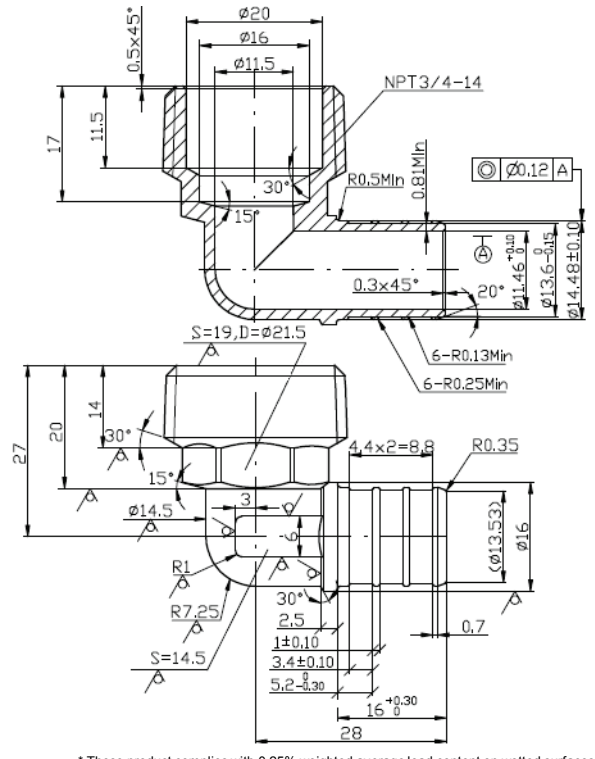
PXLM0304LF



PXLM0404LF



PXLM5804LF



\*Measurements in Millimeters

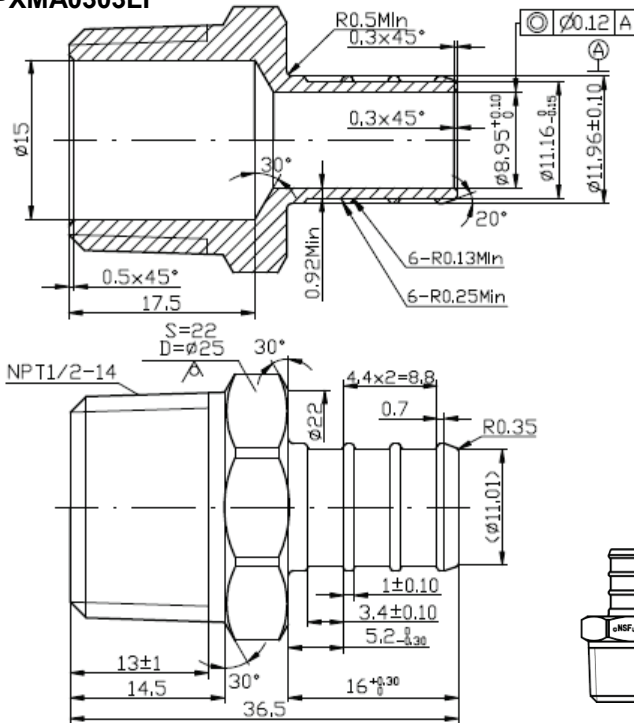
\* These product complies with 0.25% weighted average lead content on wetted surfaces in accordance with Safe Water Drinking Act (SDWA) / Federal Public Law No. 111-380.

# Lead Free Brass Pex Fittings

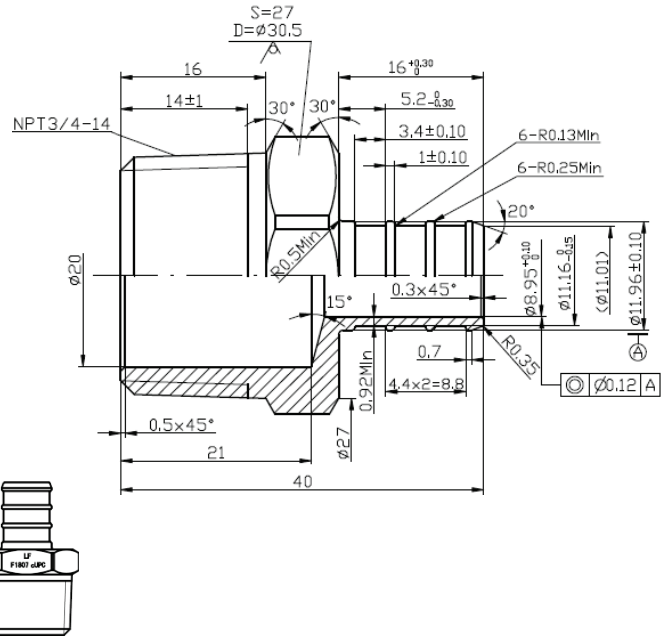
- Lead Free Brass Pex Fittings\*
- NSF and UPC Approved
- Manufactured to ASTM Standard F1807
- Can be used with PEX Tubing Manufactured to ASTM Standard F876-877

## LEAD FREE BRASS PEX BARB X IP ADAPTER

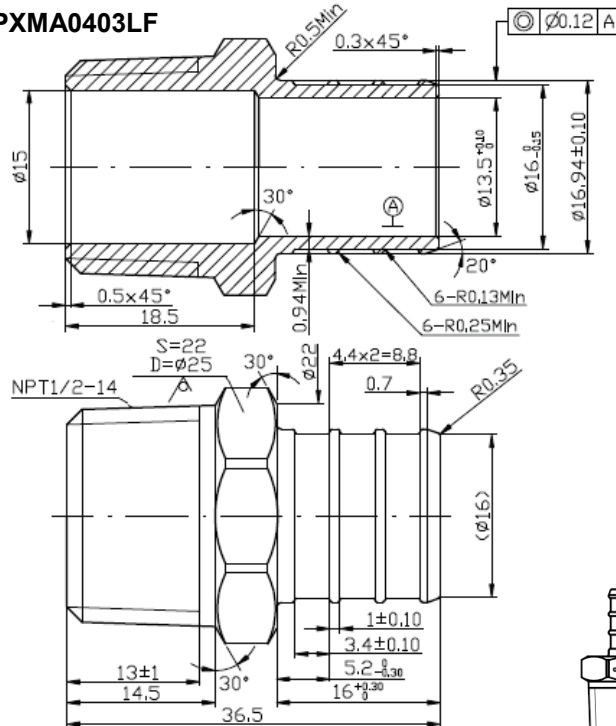
PXMA0303LF



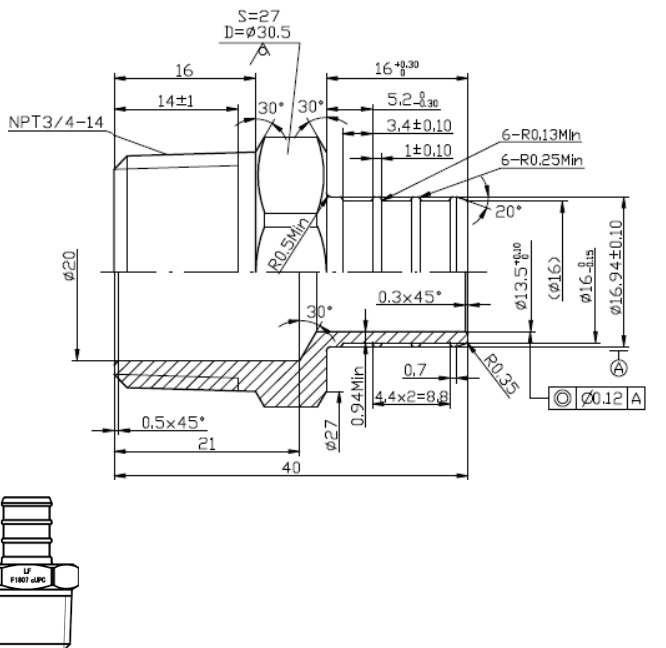
PXMA0304LF



PXMA0403LF



PXMA0404LF



\*Measurements in Millimeters

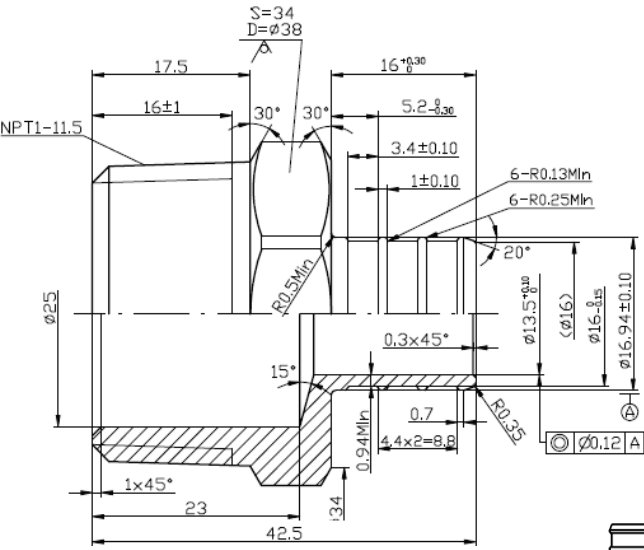
\* These product complies with 0.25% weighted average lead content on wetted surfaces in accordance with Safe Water Drinking Act (SDWA) / Federal Public Law No. 111-380.

# Lead Free Brass Pex Fittings

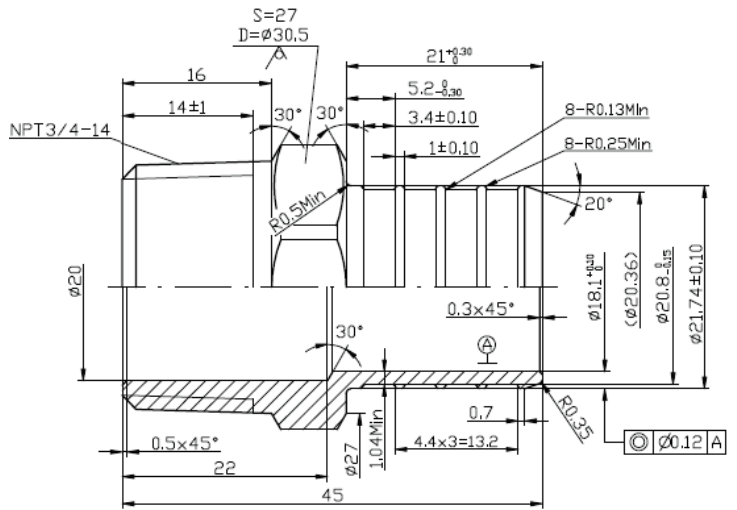
- Lead Free Brass Pex Fittings\*
- NSF and UPC Approved
- Manufactured to ASTM Standard F1807
- Can be used with PEX Tubing Manufactured to ASTM Standard F876-877

## LEAD FREE BRASS PEX BARB X IP ADAPTER

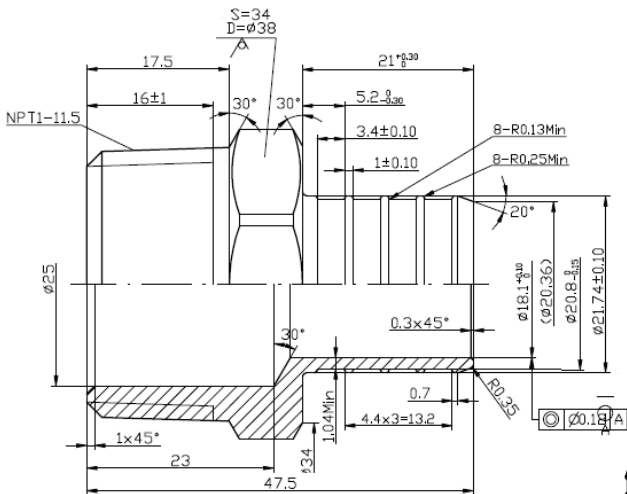
PXMA0405LF



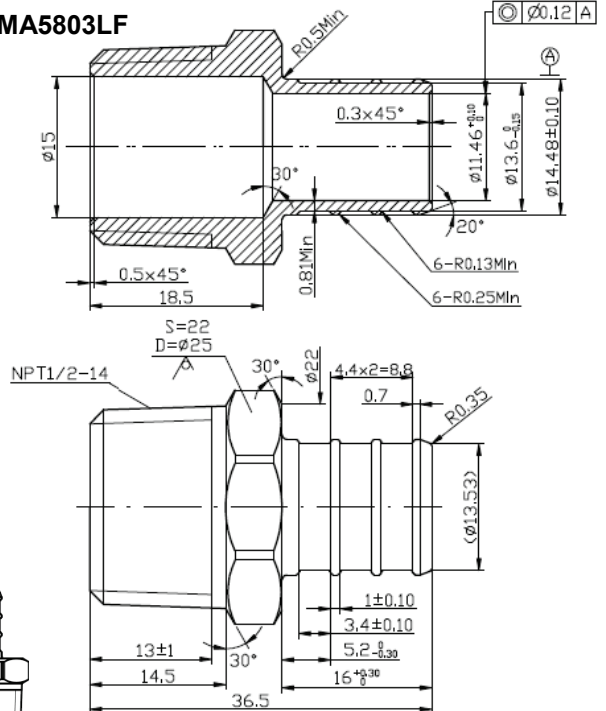
PXMA0504LF



PXMA0505LF



PXMA5803LF



\*Measurements in Millimeters

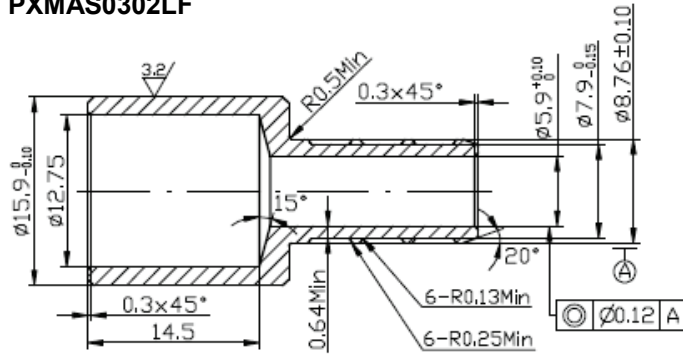
\* These product complies with 0.25% weighted average lead content on wetted surfaces in accordance with Safe Water Drinking Act (SDWA) / Federal Public Law No. 111-380.

# Lead Free Brass Pex Fittings

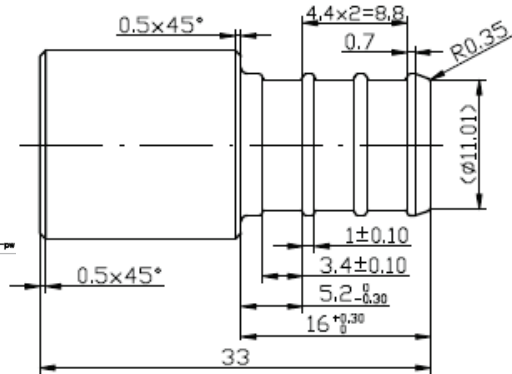
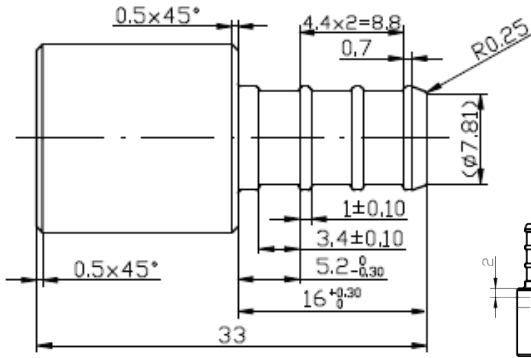
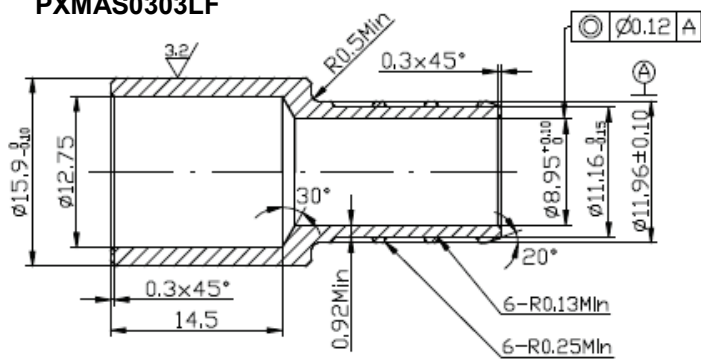
- Lead Free Brass Pex Fittings\*
- NSF and UPC Approved
- Manufactured to ASTM Standard F1807
- Can be used with PEX Tubing Manufactured to ASTM Standard F876-877

## LEAD FREE BRASS MALE SWEAT X PEXADAPTER

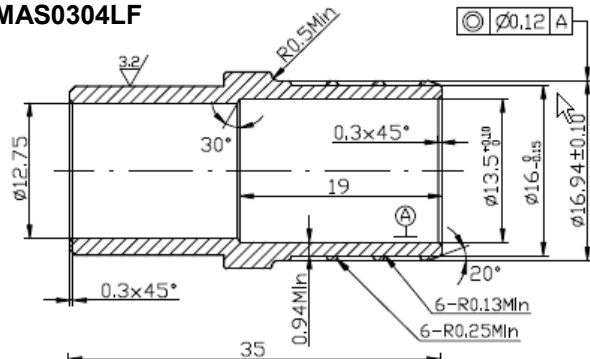
PXMAS0302LF



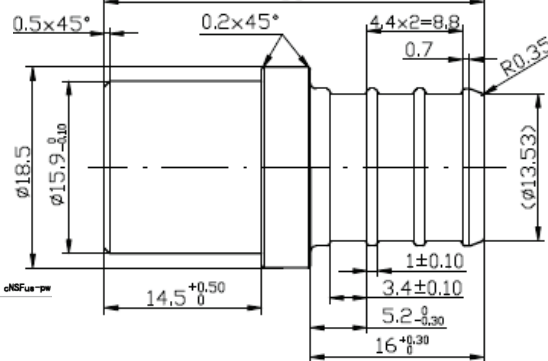
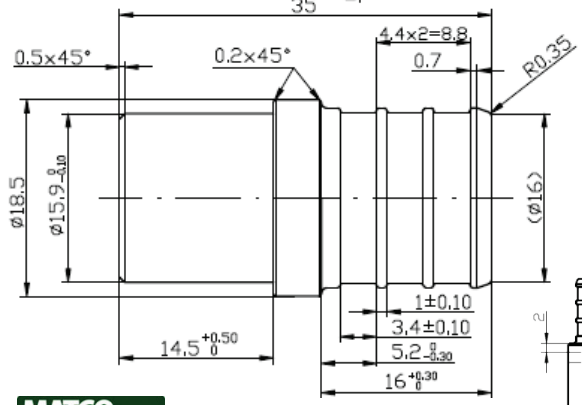
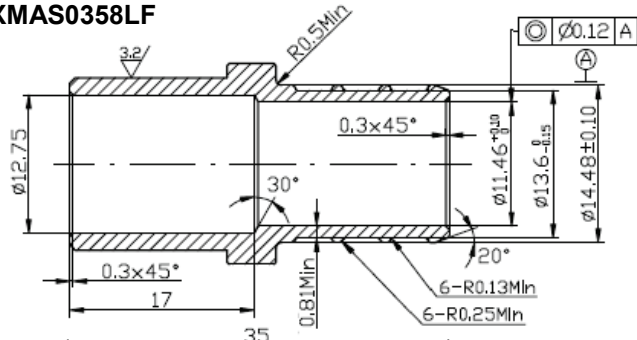
PXMAS0303LF



PXMAS0304LF



PXMAS0358LF



\*Measurements in Millimeters

\* These product complies with 0.25% weighted average lead content on wetted surfaces in accordance with Safe Water Drinking Act (SDWA) / Federal Public Law No. 111-380.

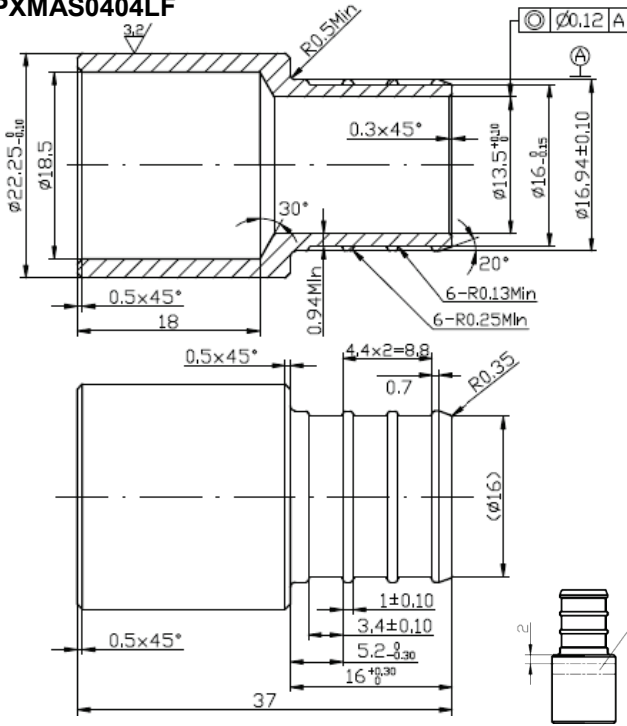


# Lead Free Brass Pex Fittings

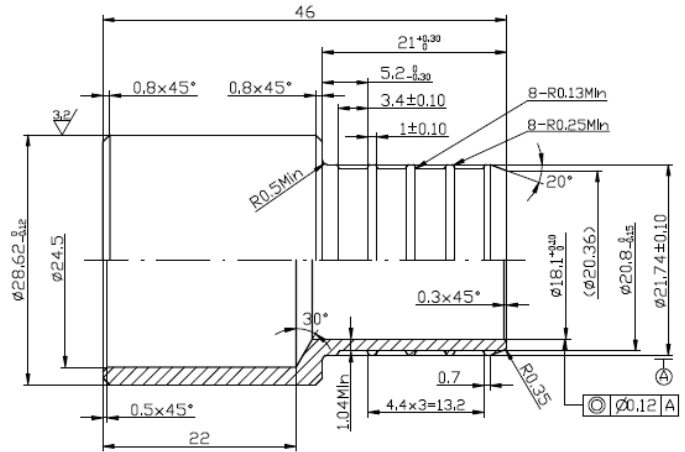
- Lead Free Brass Pex Fittings\*
- NSF and UPC Approved
- Manufactured to ASTM Standard F1807
- Can be used with PEX Tubing Manufactured to ASTM Standard F876-877

## LEAD FREE BRASS MALE SWEAT X PEXADAPTER

PXMAS0404LF

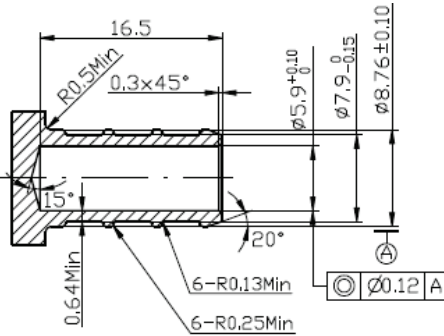


PXMAS0505LF

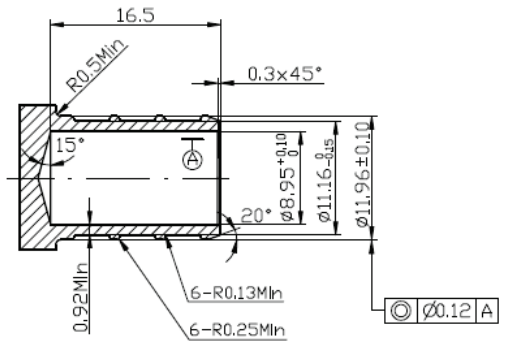


## LEAD FREE BRASS PEX PLUG

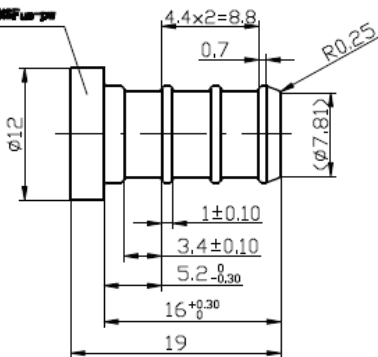
PXPL02LF



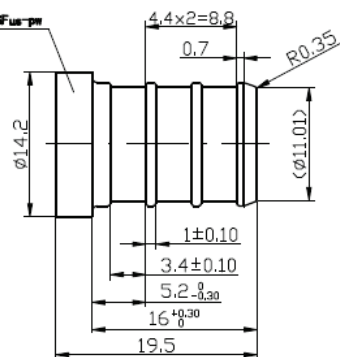
PXPL03LF



LF F1807 dUPC dNSF-us-pe



LF F1807 dUPC dNSF-us-pe



\*Measurements in Millimeters

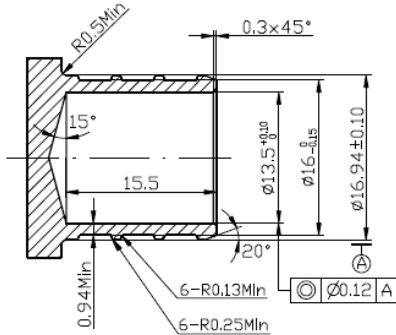
\* These product complies with 0.25% weighted average lead content on wetted surfaces in accordance with Safe Water Drinking Act (SDWA) / Federal Public Law No. 111-380.

# Lead Free Brass Pex Fittings

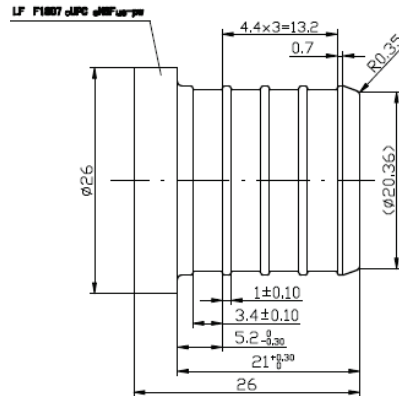
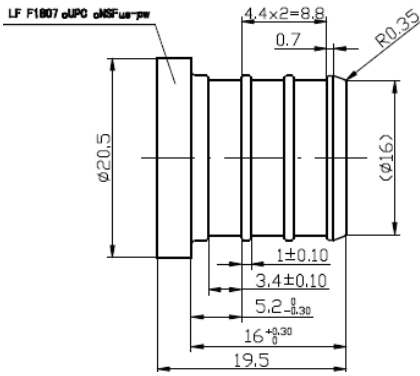
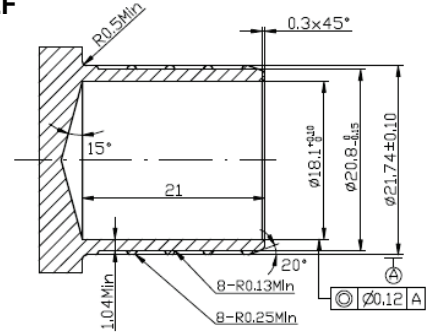
- Lead Free Brass Pex Fittings\*
- NSF and UPC Approved
- Manufactured to ASTM Standard F1807
- Can be used with PEX Tubing Manufactured to ASTM Standard F876-877

## LEAD FREE BRASS PEX PLUG

PXPL04LF

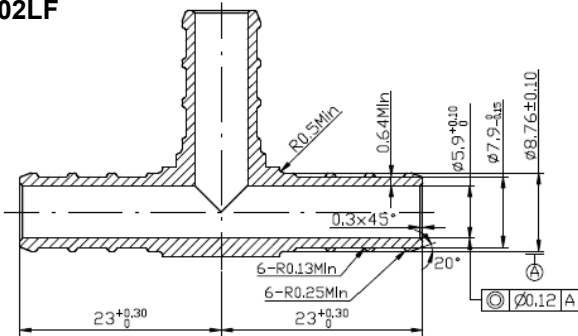


PXPL05LF

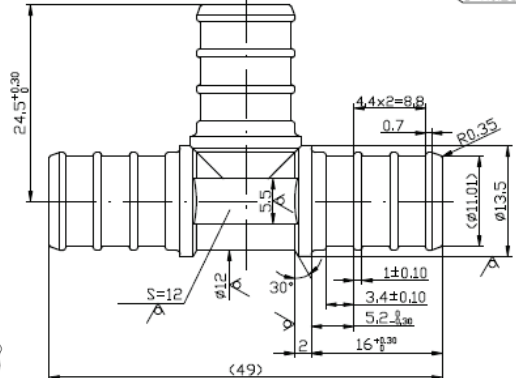
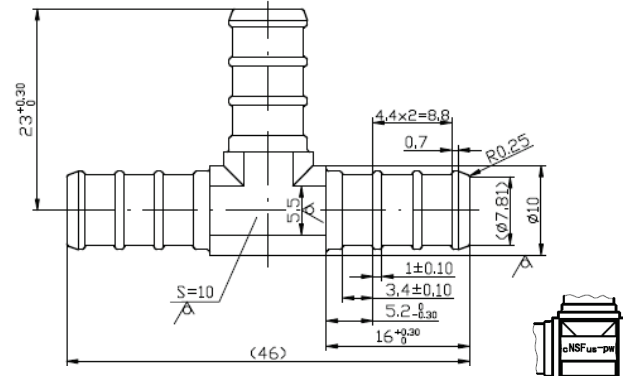
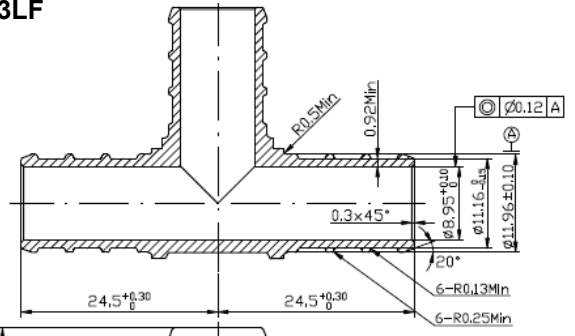


## LEAD FREE BRASS PEX TEE

PXT02LF



PXT03LF



\* These product complies with 0.25% weighted average lead content on wetted surfaces in accordance with Safe Water Drinking Act (SDWA) / Federal Public Law No. 111-380.

\*Measurements in Millimeters

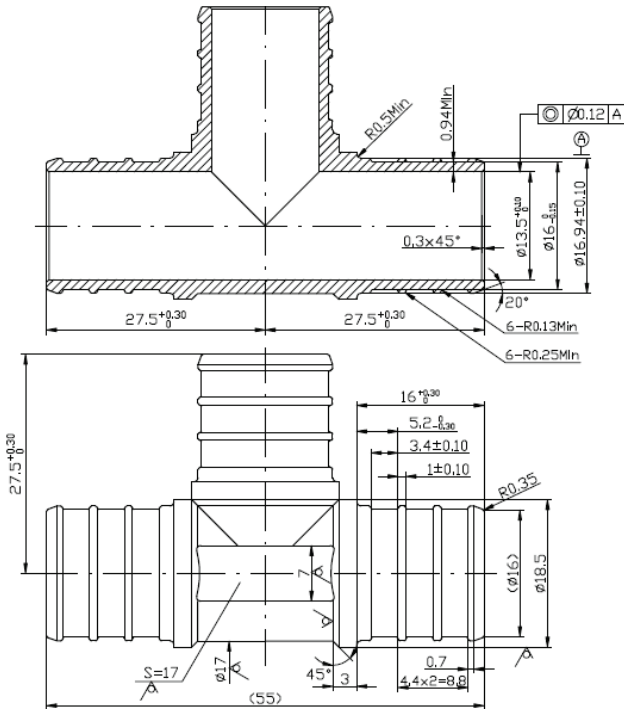


# Lead Free Brass Pex Fittings

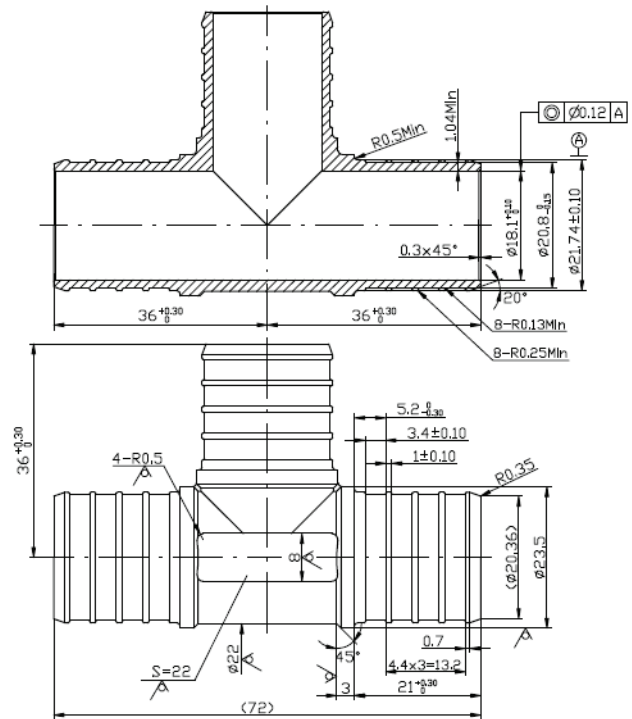
- Lead Free Brass Pex Fittings\*
- NSF and UPC Approved
- Manufactured to ASTM Standard F1807
- Can be used with PEX Tubing Manufactured to ASTM Standard F876-877

## LEAD FREE BRASS PEX TEE

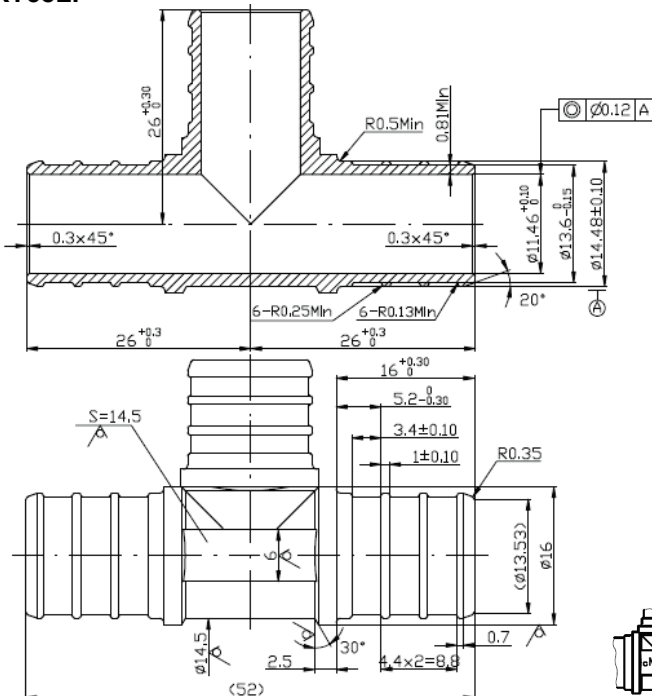
PXT04LF



PXT05LF



PXT58LF

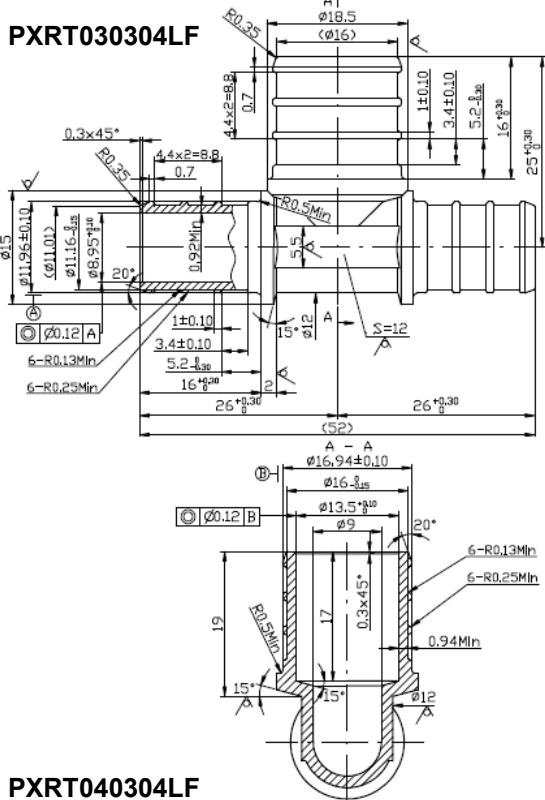


# Lead Free Brass Pex Fittings

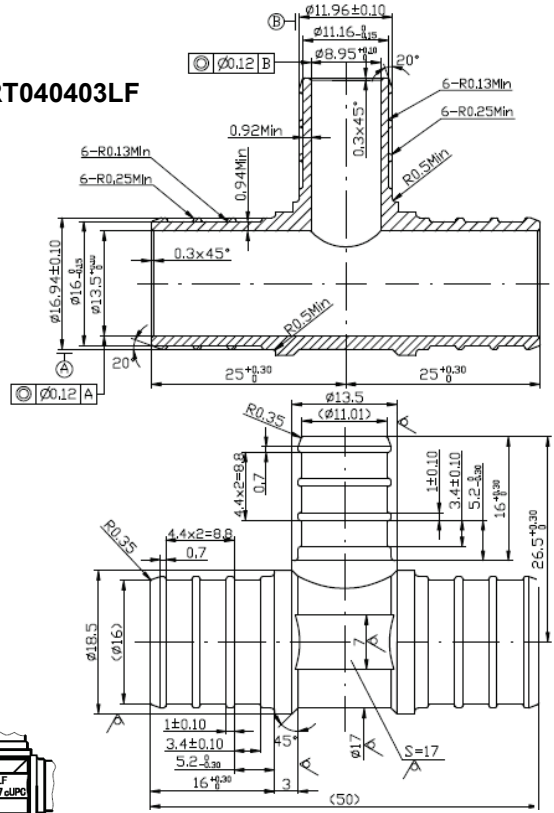
- Lead Free Brass Pex Fittings\*
- NSF and UPC Approved
- Manufactured to ASTM Standard F1807
- Can be used with PEX Tubing Manufactured to ASTM Standard F876-877

## LEAD FREE BRASS PEX REDUCING TEE

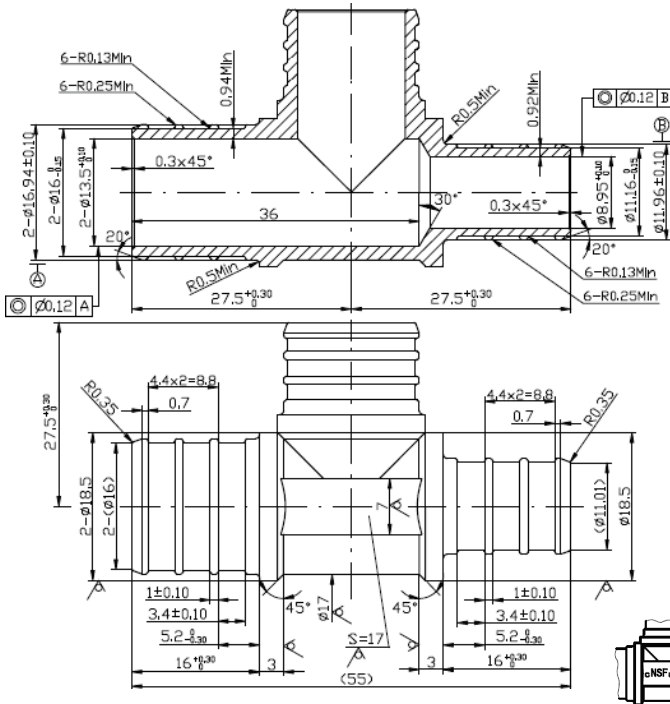
PXRT030304LF



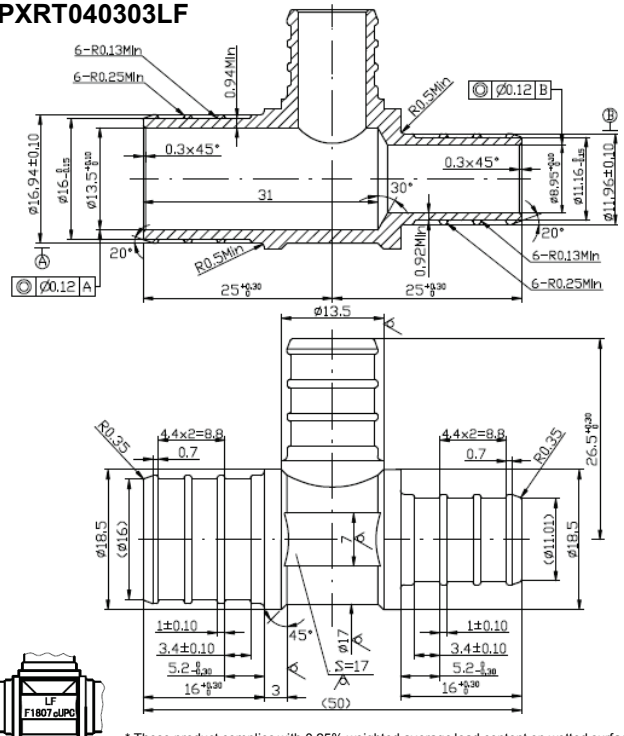
PXRT040403LF



PXRT040304LF



PXRT040303LF



\*Measurements in Millimeters

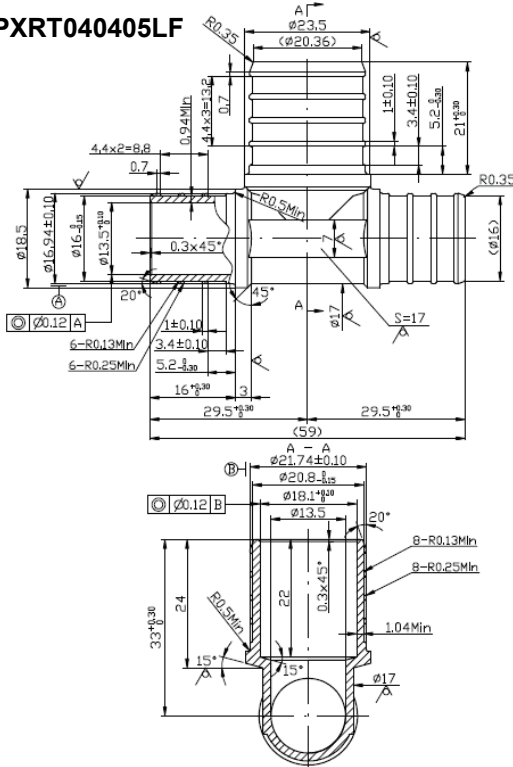
\* These product complies with 0.25% weighted average lead content on wetted surfaces in accordance with Safe Water Drinking Act (SDWA) / Federal Public Law No. 111-380.

# Lead Free Brass Pex Fittings

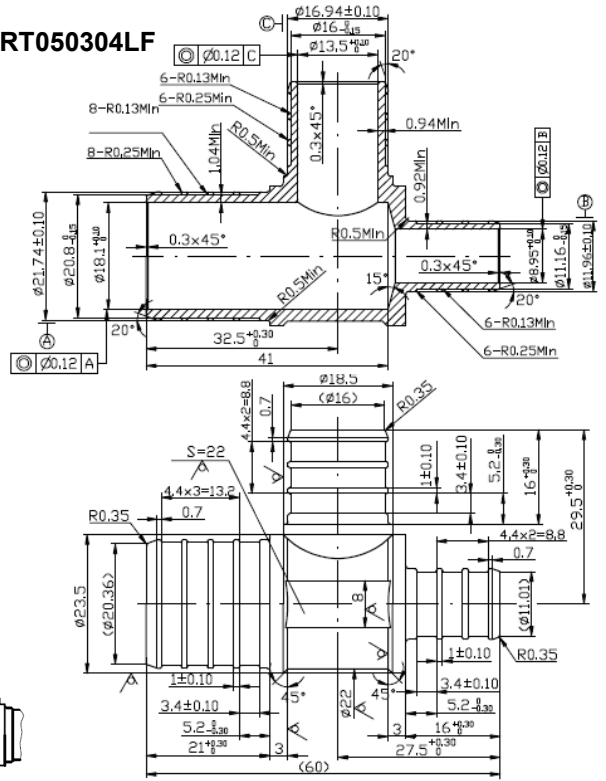
- Lead Free Brass Pex Fittings\*
- NSF and UPC Approved
- Manufactured to ASTM Standard F1807
- Can be used with PEX Tubing Manufactured to ASTM Standard F876-877

## LEAD FREE BRASS PEX REDUCING TEE

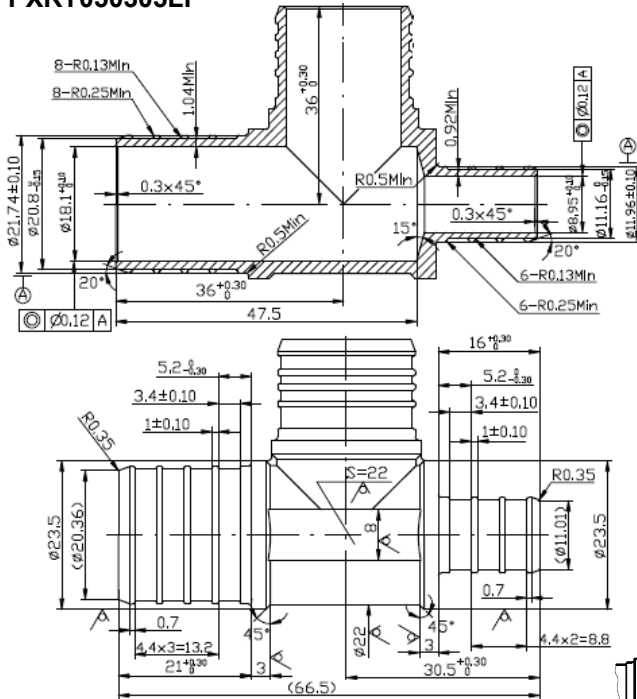
PXRT040405LF



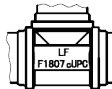
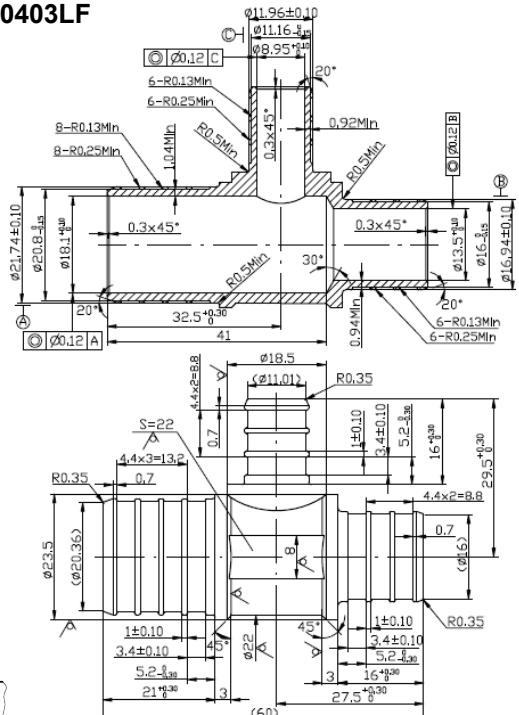
PXRT050304LF



PXRT050305LF



PXRT050403LF



\*Measurements in Millimeters

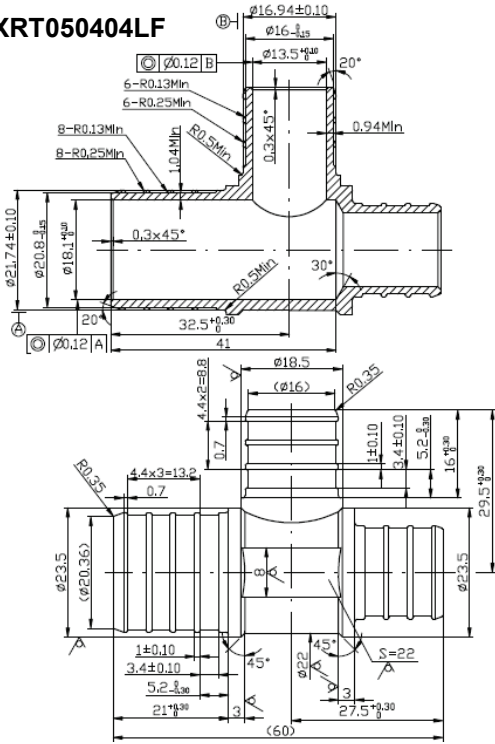
\* These product complies with 0.25% weighted average lead content on wetted surfaces in accordance with Safe Water Drinking Act (SDWA) / Federal Public Law No. 111-380.

# Lead Free Brass Pex Fittings

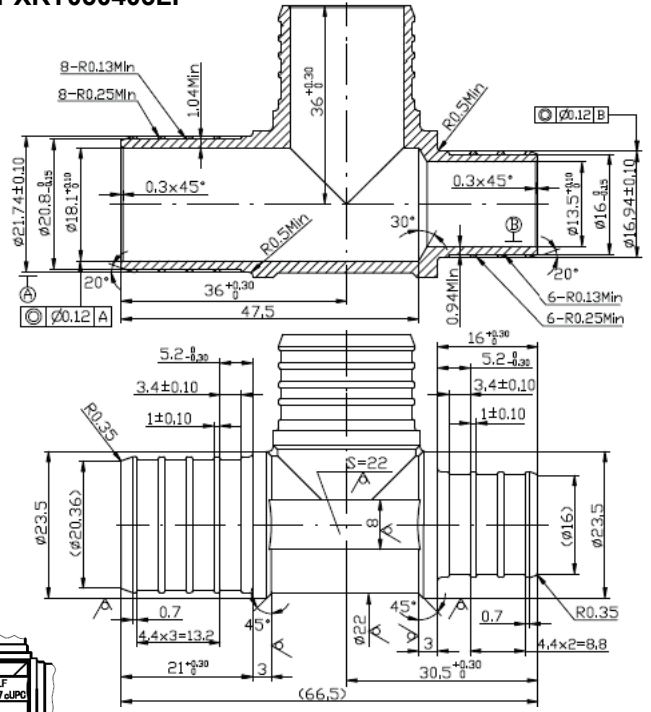
- Lead Free Brass Pex Fittings\*
- NSF and UPC Approved
- Manufactured to ASTM Standard F1807
- Can be used with PEX Tubing Manufactured to ASTM Standard F876-877

## LEAD FREE BRASS PEX REDUCING TEE

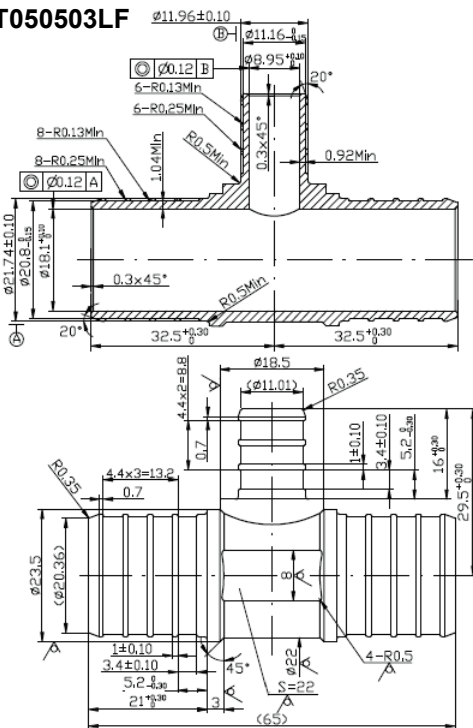
PXRT050404LF



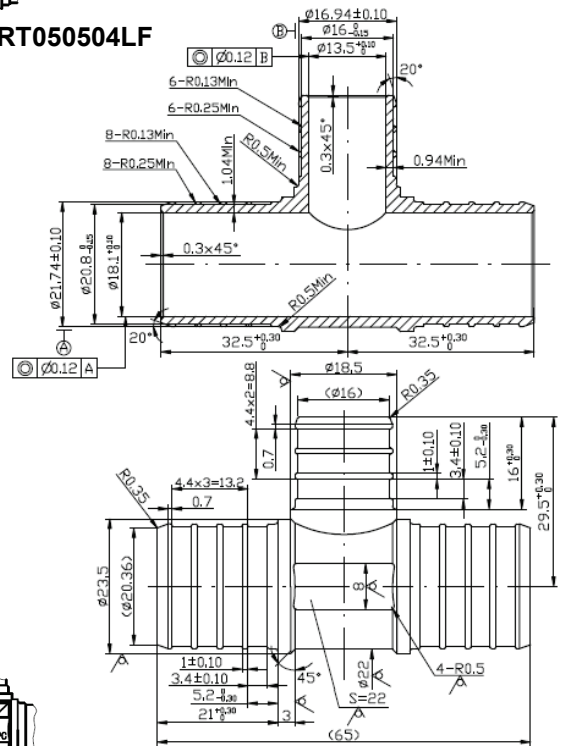
PXRT050405LF



PXRT050503LF



PXRT050504LF



\* These product complies with 0.25% weighted average lead content on wetted surfaces in accordance with Safe Water Drinking Act (SDWA) / Federal Public Law No. 111-380.

\*Measurements in Millimeters