

SUBMITTAL SHEET

JOB NAME	ITEM TAG
JOB LOCATION	PART NUMBER
CONTRACTOR	DATE
ENGINEER APPROVAL	DATE

NO-HUB COUPLINGS

Shielded Hubless Couplings

Designed to connect cast iron no-hub soil pipe and no-hub fittings compliant with ASTM A888-11 and CISPI 301-09 in above-ground and underground residential and commercial applications. Proper bracing and backfilling practices must be followed.

Easily installed in new-construction or repair applications, eliminating the need for labor-intensive hub-and-spigot caulking.

All heavy-pattern worm-gear band clamps are attached to the shield with a rivet through an elongated slot, which not only stabilizes the clamps during the tightening sequence, but also allows the clamps and shield to move independently, thus preventing uneven clamping force, binding and shield-crimping.

Durable 28-gauge stainless steel shields are corrugated, permitting even gasket compression and reduced buckling at the overlap.

Full-pattern Neoprene rubber gasket is tear-resistant and internally beaded, to ensure a positive seal and mechanical joint, with greater pull-out resistance.



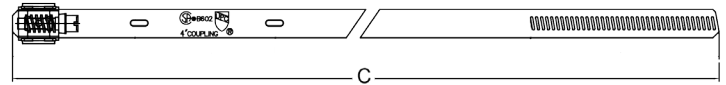
Complies with the following ASTM specifications:

- ASTM A 240 Standard Specification for Chromium and Chromium-Nickel Stainless Steel Plate, Sheet and Strip for Pressure Vessels and for General Applications
- ASTM C 564-11 Standard Specification for Rubber Gaskets for Cast Iron Soil Pipe and Fittings
- ASTM C1277-11 Standard Specification for Shielded Couplings Joining Hubless Cast Iron Soil Pipe and Fittings

Complies with the following CSA standards:

- CSA B70-06 Cast Iron Soil Pipe, Fittings and Means of Joining
- B602-10 Mechanical couplings for drain, waste and vent pipe and sewer pipe
- UPC/IAPMO Certified: File #4775
- Conforms to CISPI Standard 310-11
- Manufactured in an ISO accredited facility

Note: All 5/16" hex-head worm-gear screws must be incrementally tightened to 60 in-lb with a calibrated torque wrench to assure even compression and sealing.



Pictured
No-hub shield and band clamp details

Working Pressure, Non Shock (PSI)

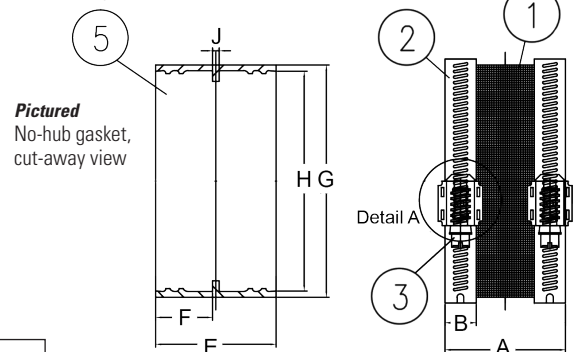
Drain-Waste-Vent (DWV), gravity flow: < 10 psi

MATERIAL SPECIFICATION

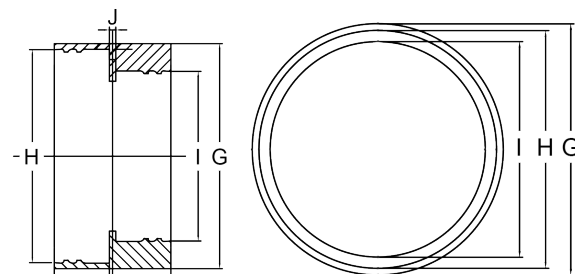
PART	MATERIAL	SPECIFICATION
1 Shield	Stainless steel	AISI 310
2 Band clamp	Stainless steel	AISI 310
3 Worm gear screw -- 5/16" hex-head	Stainless steel	AISI 305
4 Worm gear cover	Stainless steel	AISI 310
5 Gasket	Neoprene rubber	ASTM C 564-11

DIMENSIONS

Size	# of band clamps	A	B	C	D	E	F	G	H	I	J
1-1/2"	2	2.21	0.55	8.66	0.79	2.21	1.04	2.03	1.87	1.56	0.12
2"	2	2.21	0.55	10.43	0.79	2.21	1.04	2.53	2.31	2.01	0.12
2" x 1-1/2"	2	2.21	0.55	10.43	0.79	2.21	1.04	2.53	2.31	1.87	0.12
3"	2	2.21	0.55	13.86	0.79	2.21	1.04	3.51	3.29	2.95	0.12
3" x 2"	2	2.21	0.55	13.86	0.79	2.21	1.04	3.51	3.29	2.31	0.12
4"	2	2.21	0.55	16.54	0.79	2.21	1.04	4.54	4.33	4.02	0.12
4" x 2"	2	2.21	0.55	16.54	0.79	2.21	1.04	4.54	4.33	2.31	0.12
4" x 3"	2	2.21	0.55	16.54	0.79	2.21	1.04	4.54	4.33	3.29	0.12
5"	4	3.07	0.55	19.92	0.79	3.07	1.48	5.53	5.30	4.90	0.12
6"	4	3.07	0.55	23.03	0.79	3.07	1.48	6.47	6.27	5.95	0.12
8"	4	4.02	0.55	29.72	0.79	4.02	1.95	8.39	8.15	7.74	0.12
10"	4	4.06	0.55	36.22	0.79	4.06	1.97	10.85	10.54	10.03	0.12
12"	6	5.47	0.55	40.16	0.79	5.47	2.64	12.87	12.78	12.46	0.19
15"	6	5.52	0.55	53.15	0.79	5.52	2.69	16.04	15.95	15.73	0.14

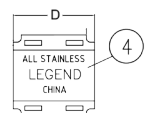


Pictured
No-hub gasket, cut-away view



Pictured
4" x 3" Reducing no-hub gasket, cut-away view

Pictured
No-hub gasket, front view



Pictured
Detail A: Worm-gear cover