

# Engineered Polymer (EP) Flow-through Multi-port Elbow

Submittal Information  
Revision E: Feb. 1, 2016

## Project Information

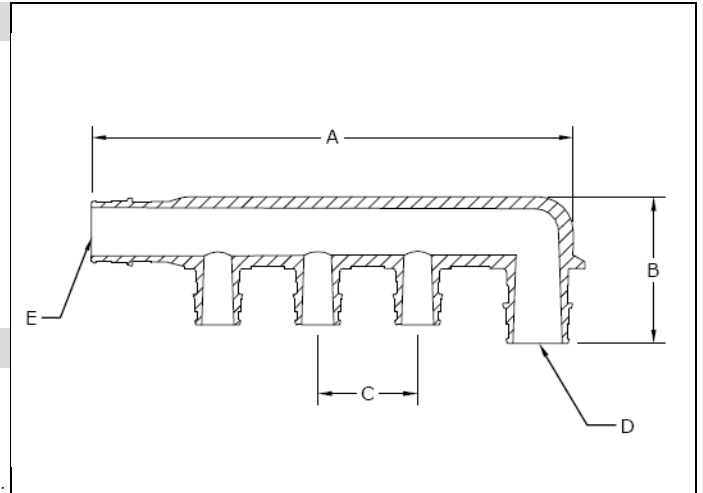
Job Name:	
Location:	Part No. Ordered:
Engineer:	Date Submitted:
Contractor:	Submitted By:
Manufacturer's Representative:	Approved By:

## Technical Data

Material:	Polysulfone GF120
Maximum Temperature (no pressure):	320°F (160°C)
Maximum Working Temperature/Pressure:	210°F at 150 psi (99°C at 10.3 bar)
Maximum Multi-port Elbow Flow for 3/4" Inlet:	13.2 gpm at 12 fps 8.8 gpm at 8 fps

## Product Information and Application Use

Engineered Polymer (EP) Flow-through Multi-port Elbow features an integrated 3/4" ProPEX® elbow with 1/2" ProPEX branch outlets.<sup>1</sup> The elbow is designed for demanding, slab-on-grade, potable plumbing applications, and eliminates the need for multiple connections. The elbow is made of engineered polymer, a proven material in demanding hot-water applications.



✓ Description	Part Number	A	B	C	D	E	Weight
EP Flow-through Multi-port Elbow, 3 outlets, 3/4" x 3/4" ProPEX	Q2235577	6.03"	1.87"	1.25"	0.75"	0.75"	0.10 lbs.
EP Flow-through Multi-port Elbow, 4 outlets, 3/4" x 3/4" ProPEX	Q2245577	7.28"	1.87"	1.25"	0.75"	0.75"	0.14 lbs.

## Installation

Any product designed to mount 1" copper pipe is suitable for use as a mounting bracket. For more information, refer to the Uponor Professional Plumbing Installation Guide.

## Standards

CAN/CSA B137.5; ASTM F877; ASTM F1960

## Codes

IPC; UPC; NSPC; NPC of Canada

## Listings

ANSI/NSF 14- and 61-certified; ICC ESR 1099; IAPMO 3946; HUD MR 1269; cQAIus P321

## Related Applications

PEX-a Plumbing Systems

## Contact Information

Uponor, Inc.  
5925 148th Street West  
Apple Valley, MN 55124 USA  
Phone: 800.321.4739  
Fax: 952.891.2008  
www.uponorpro.com

Uponor Ltd.  
2000 Argentia Rd., Plaza 1, Ste. 200  
Mississauga, ON L5N 1W1 CANADA  
Phone: 888.994.7726  
Fax: 800.638.9517  
www.uponorpro.com

<sup>1</sup>ProPEX® is a registered trademark of Uponor, Inc. ProPEX™ is a trademark of Uponor Ltd.