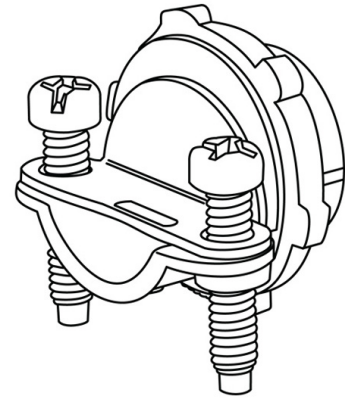




TWO SCREW CLAMP CONNECTOR-ZINC



FEATURES & BENEFITS

- ZINC DIE CAST
- FOR 1/2" KNOCKOUTS
- MEETS UL 514B
- L-51- NM CABLE- (2) 14/2- (1) 12/2
- L-57-AC CABLE-(FE) 14/2-10/2,.46MIN X .598MAX AC CABLE

SPECIFICATIONS

Cat. Number	Trade Size	Shelf Qty.	Master Qty.
L-51	3/8"	100	1000
L-57	3/8	100	1000